

**PALLET TYPE:**

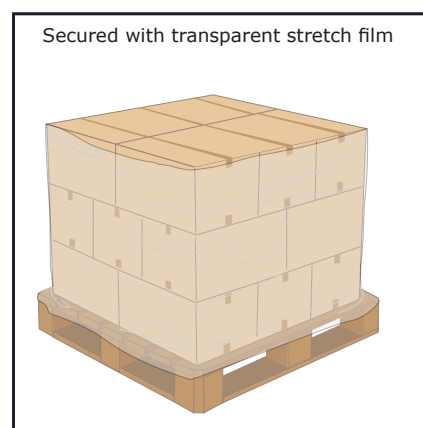
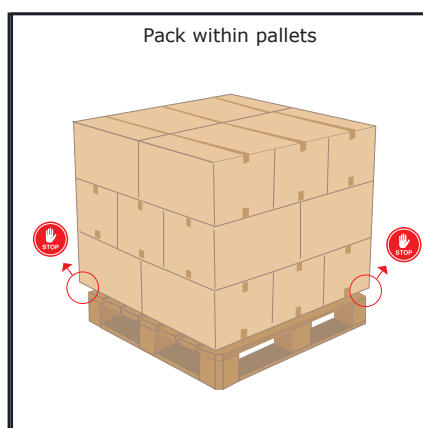
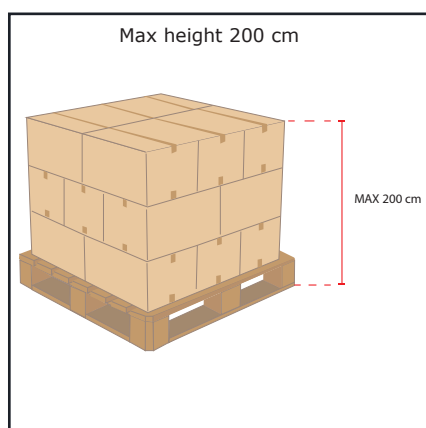
Onlu **EUR PALLET** is accpeted ( 80x120MM). Disposable pallets are **NOT** allowed.

PALETTE EUR-EPAL ©



**PALLET PACKING INSTRUCTIONS**

- Max height (incl. Pallet): 200 cm
- Max weight (incl. Pallet): 1000 kg
- Goods must fit within the pallet frame, to avoid interference with adjacent pallets during handling.
- Good must be secured on pallet with transparent stretch film
- Carton quality must be of good quality and according to our instructions to avoid collapse during transport



**PALLET ORGANIZATION:**

It is important to organize cartons on the pallets without mixing assortments, sizes and color. Pallets must be packed in correct carton number order, starting from Ctn no. 1 at the bottom \*Carton numbers must follow the chronological order as listed on the order sheet.

**Important:** Heaviest, fully packed cartons should always be on the bottom, to avoid collapsed cartons.

