

Label/concept: BISON	Bison labels instr. No.: BI-2005	Output date:06/06/26 Modification date: 9 June 2026 2:52 pm
	Style: Shirts	Design: JEJ

Label instructions


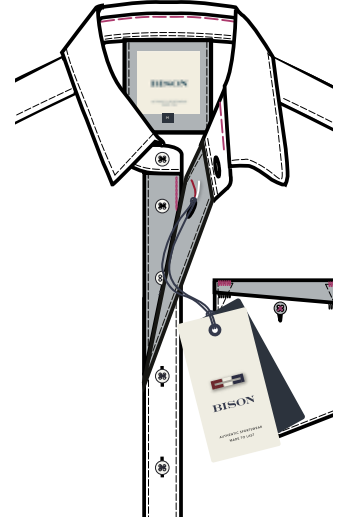








BI-109	
	
Placement	Label should be sewn at center neck 2 cm from top.
Stitching	Label should be folded at both sides and sewn with tread match colour on all 4 sides. If label is placed on a patch: Patch should be placed 1,3 cm from edge, and label 0,7 cm from patch edge.

Illustration only:



Sparebuttons:

Sparebuttons to be
Placed on carelabel

BI-106 Size label for shirts:							Placement:
							Size label should be sewn at center/ Bottom at mainlabel
							

Label/concept: <h1>BISON</h1>	Bison labels instr. No.: BI-2005	Output date:06/06/26 Modification date: 9 June 2026 2:52 pm
	Style: Shirts	Design: JEJ

BI-001
Hangtag

Placement

Should be fixed through 2. buttonhole on front. Please tie a knot at string

Frontside:

Story telling on front of hangtag

Look at style sketch
For hangtag number

Size	W:5 cm, H:10 cm
Quality	Cardboard 0,6 mm
Placement	Must be placed behind main hangtag in same string.

Backside: Backside:

For production
Cardboard with price sticker

Hole at top must be same size as hole in hangtag

DKK	3000.00
SEK	3000.00
NOK	3000.00
EUR	350.00
GBP	350.00

Size W: 5 cm H:10 cm

Quality Cardboard 0,6 mm

Placement Must be placed behind main hangtag in same string. **Pricesticker backside out**

For sales samples/Label with style no. and colour

Dymo label:
Colour: White
Font: Multi purpose

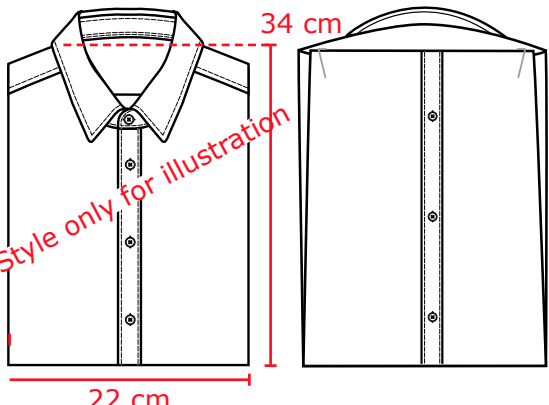
Wording:
Colour: Black
Font: Arial, Size: 6 PT

Size	W:3 cm, H:1,5 cm
Quality	Self adhesive white sticker
Placement	CB,backside of hangtag

Label/concept: BISON	Bison labels instr. No.: BI-2005	Output date:06/06/26 Modification date: 9 June 2026 2:52 pm
	Style: Shirts	Design: JEJ

SOFT PACKING/FOLDING INSTRUCTION FOR LONG SLEEVES **BISON**

Soft steamed and handfolded

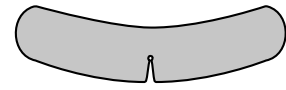


Style only for illustration

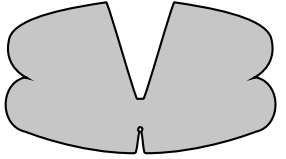
22 cm

34 cm


Double butterfly to fix normal collar



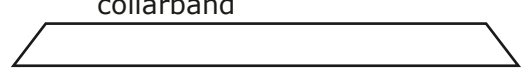
Double butterfly to fix buttondown collar




Use metal clips to fix the shirt when packing



Cardboard around collarband



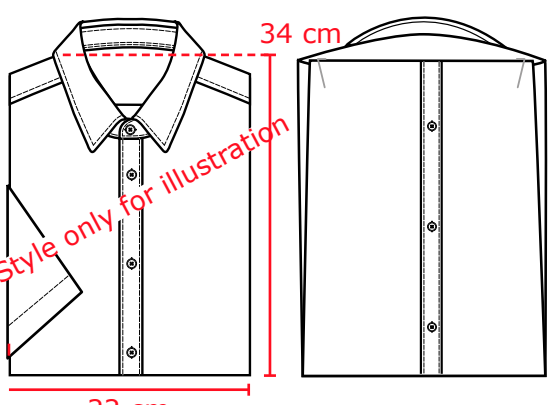
Inside neckline



- Each garment folded as illustrated.
- Each garment packed in a polybag with sizeprint and sticker
- Each garment packed with 8 pcs. of noisy tissue paper 30x40 cm Upper tissue layer is with logo print. See sketch for details.
- When button down collar is requested, please pack each shirt with a plastic bubble butterfly under collar.
- Each garment packed with cardboard

SOFT PACKING/FOLDING INSTRUCTION FOR SHORT SLEEVES **BISON**

Soft steamed and handfolded




Style only for illustration

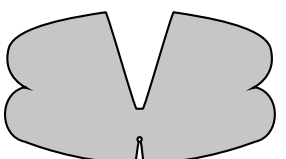
22 cm

34 cm


Double butterfly to fix normal collar



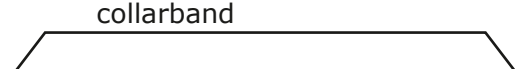
Double butterfly to fix buttondown collar




Use metal clips to fix the shirt when packing



Cardboard around collarband



Inside neckline



- Each garment folded as illustrated.
- Each garment packed in a polybag with sizeprint and sticker
- Each garment packed with 8 pcs. of noisy tissue paper 30x40 cm Upper tissue layer is with logo print. See sketch for details.
- When button down collar is requested, please pack each shirt with a plastic bubble butterfly under collar.
- Each garment packed with cardboard

Label/concept: BISON	Bison labels instr. No.: BI-2005	Output date:06/06/26 Modification date: 9 June 2026 2:52 pm
	Style: Shirts	Design: JEJ

BI-055 Tissuepaper

Logo printed tissue paper

Quality: Noisy tissuepapers, 40x45 cm

Weight: 26 gr/m2, Thickness: 0,4 mm

Size: Actual size

Col: White

Print col: Off white 11-4300 TCX

Font: Adobe Garmond Pro



Size Sticker:

Sticker colour: White

Placement:
On backside of
Card board, center.

Text colour: Black

Font: Verdana

Size: 7

For model: Bisse - L/S

Quality:	Size	Collar opening	Chest width	Sleeve length	Back length
	S	37/38	110	66	78
	M	39/40	118	66,5	80
	L	41/42	126	67	82
	XL	43/44	134	67,5	84
	XXL	45/46	142	68	86
	3XL	47/48	150	69	89