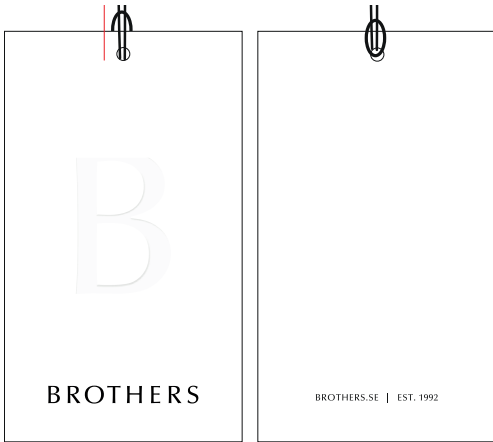


<b>Label:</b> BROTHERS	<b>Date: 22/03/18:</b> <b>revised:</b> <b>29 April 2026 8:58 am</b>	<b>Design:</b> WAI
<b>Description:</b> Blazer	<b>Labels instructions no.</b>	<b>BRO-3701</b>

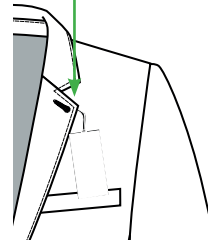
### Main hangtag BRO-900

FRONT BACK



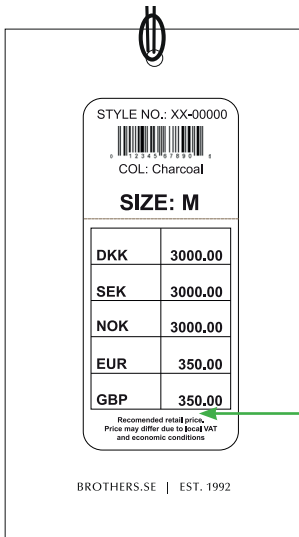
#### Tag placement

Hangtag fixed behind lapel with black metal safty pin



FRONT

### Production sticker placement



**Price sticker placement**  
(for production only)

### SMS sticker placement



#### SMS sticker placement

Follow instruction no. :  
007 salesman sticker from  
Lindbergh

<b>Label:</b> BROTHERS	<b>Date: 22/03/18:</b> revised: 29 April 2026 8:58 am	<b>Design:</b> WAI
<b>Description:</b> Blazer	<b>Labels instructions no.</b>	<b>BRO-3701</b>

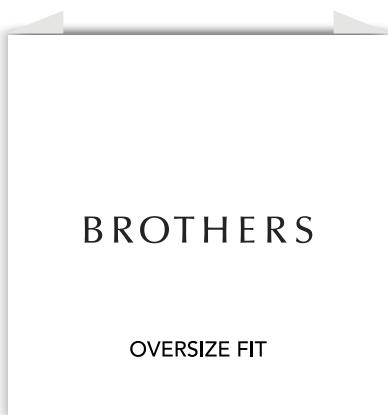
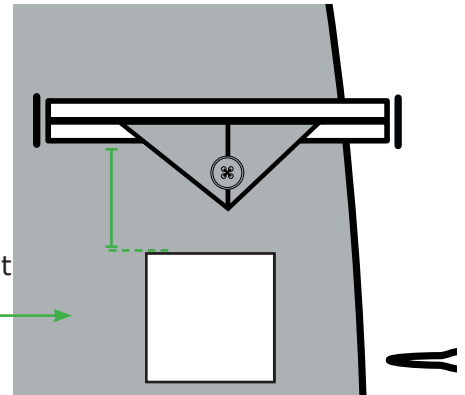
## LABEL BRO-804



**PLACEMENT:**

3,5 cm from inner pocket  
-right side

Stitch all 4 sides.  
Col. match label colour



**PLEASE CHECK MEASUREMENT CHART FOR KIND OF FIT LABEL**

<b>Label:</b> BROTHERS	<b>Date:</b> 22/03/18: <b>revised:</b> 29 April 2026 8:58 am	<b>Design:</b> WAI
<b>Description:</b> Blazer	<b>Labels instructions no.</b>	<b>BRO-3701</b>

**PLEASE CHECK MEASUREMENT CHART FOR KIND OF SIZE LABEL**

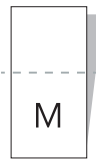
Please place the label  
inside left inner pocket  
-right side

**SIZE LABEL REF. BRO-842:**

\* if the style is using sizing with S / M / L,  
etc... then please use below size label



**SIZE LABEL REF. BRO-840:**



Always place carelabel  
In left inner pocket  
-left side

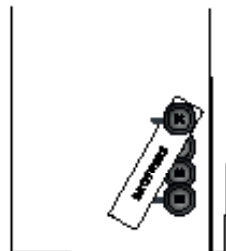
**Blazer Sleeve Tag BRO-850**

Or follow Style Tech Pack for specific Sleeve tag

**Size: 18 mm x 80 mm**



Place around top button on the  
left side as worn sleeve



<b>Label:</b> BROTHERS	<b>Date:</b> 22/03/18: <b>revised:</b> 29 April 2026 8:58 am	<b>Design:</b> WAI
<b>Description:</b> Blazer	<b>Labels instructions no.</b>	<b>BRO-3701</b>

STORYTELLING/FIT LABEL:

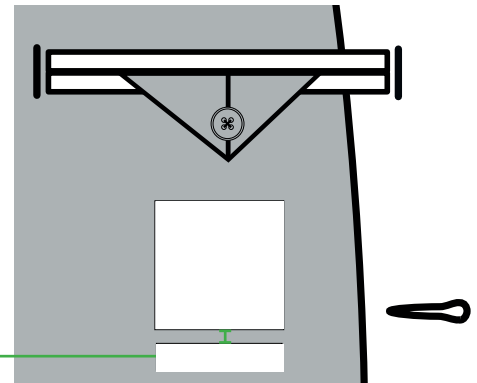


See program  
For label reference

**PLACEMENT :**

Below main label  
= 1 cm

Stitch both sides.  
Col. match label colour



2 STORYTELLING/FIT LABELS:



See program  
For label reference

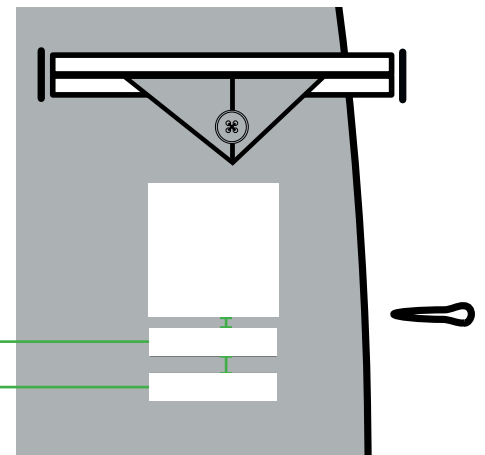
**PLACEMENT :**

Distance between  
the storytelling  
labels is 1 cm

Stitch both sides.  
Col. match label colour

Storytelling label 1

Storytelling label 2



<b>Label:</b> BROTHERS	<b>Date:</b> 22/03/18: <b>revised:</b> 29 April 2026 8:58 am	<b>Design:</b> WAI
<b>Description:</b> Blazer	<b>Labels instructions no.</b>	<b>BRO-3701</b>

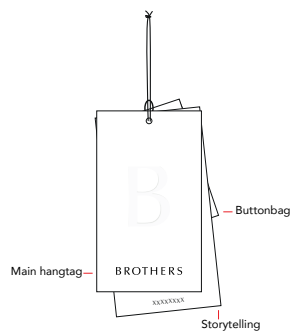
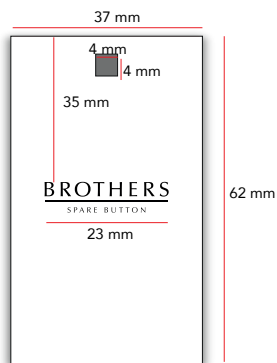
## STORYTELLING HANGTAG

See program  
For which storytelling hangtag to use - if any



## SPARE BUTTON BAG BRO-950

ALL RED LINES ARE NOT TO BE PRINTED



**Buttonbag** must be placed behind main hangtag and storytelling hangtags