
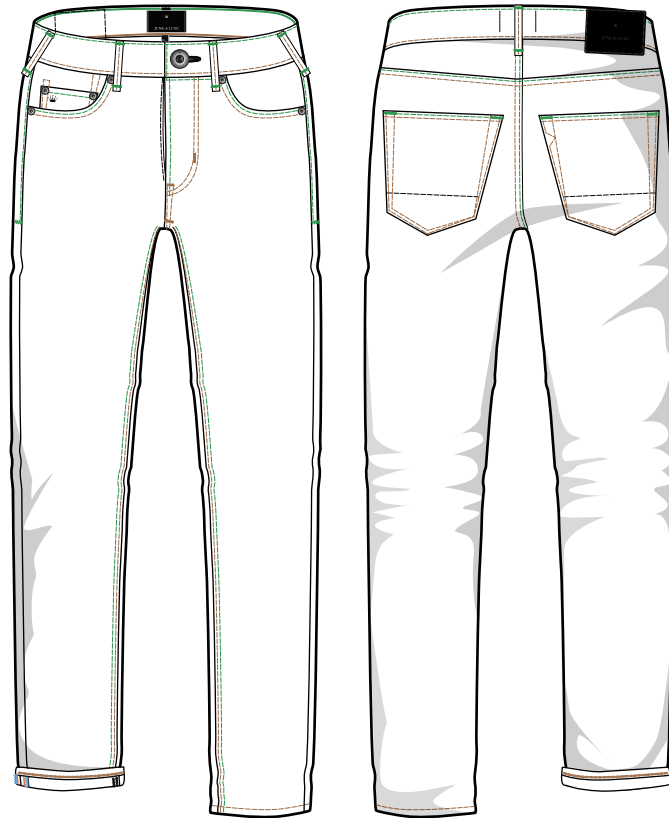



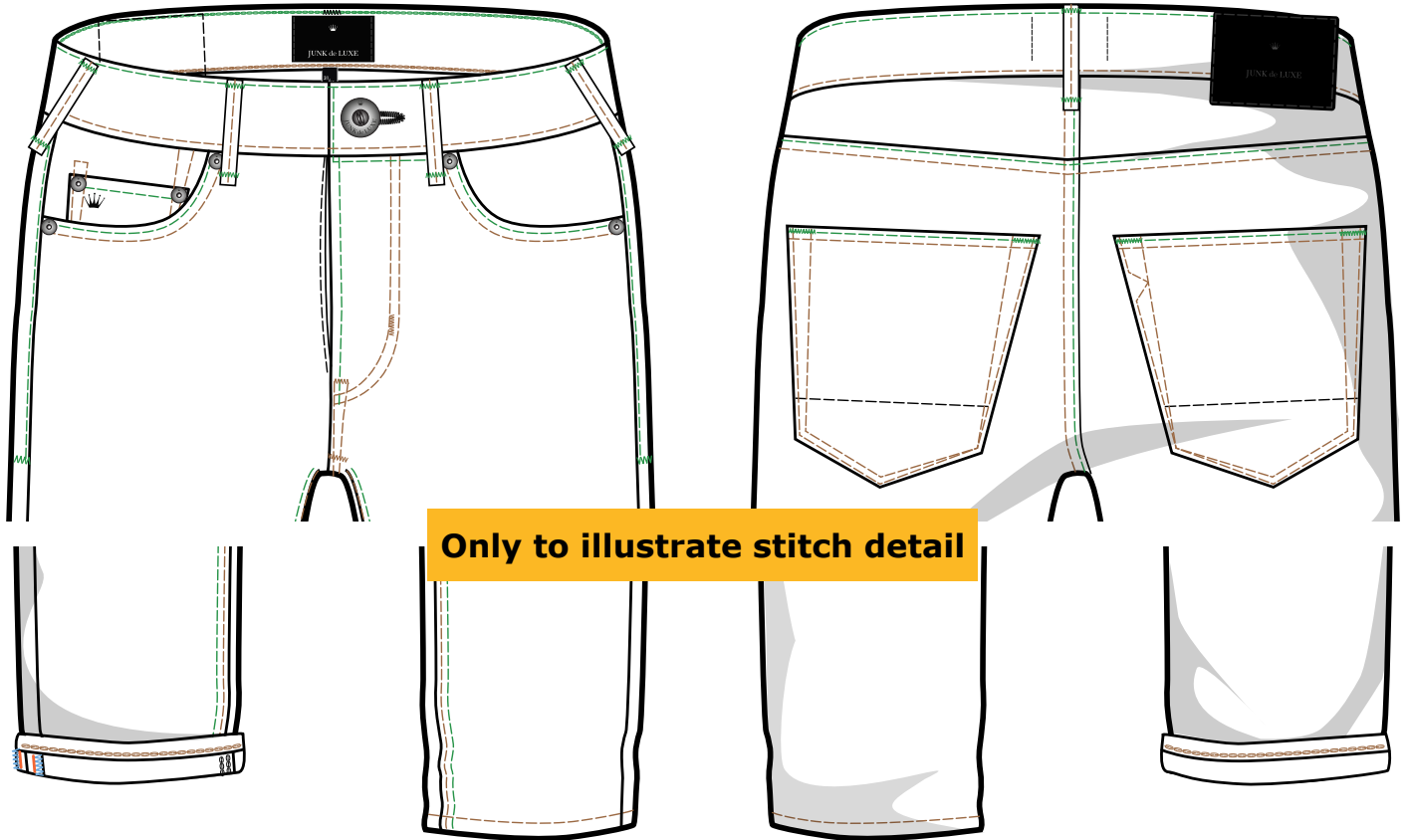
| | | |
|---|--|--|
| Label:  JUNK de LUXE | Description : JDL JEANS GENERAL DETAILS + LABEL INSTRUCTIONS | Date: 18/09/23 Modification date: 17 January 2025 11:17 am |
| | Label instruction no: JDL-0201 | Design : WAI |




JDL JEANS GENERAL DETAILS

| | | |
|---|--|--|
| Label:  JUNK de LUXE | Description : JDL JEANS GENERAL DETAILS + LABEL INSTRUCTIONS | Date: 18/09/23 Modification date: 17 January 2025 11:17 am |
| | Label instruction no: JDL-0201 | Design : WAI |

Stitching Details

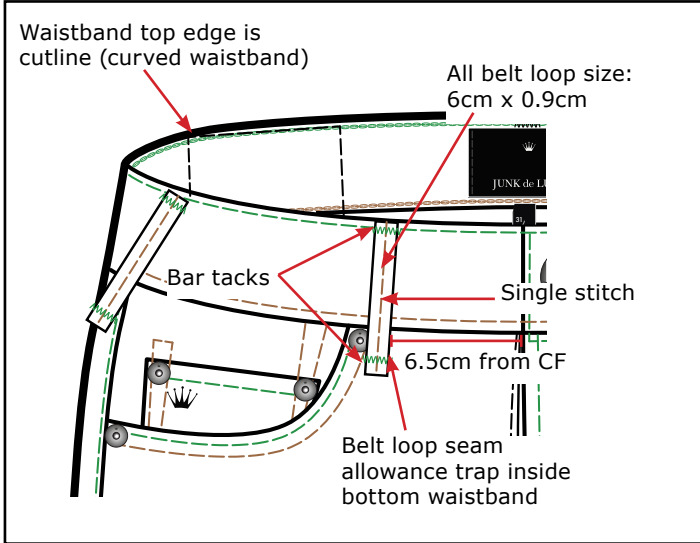


| | |
|--------------------------------|---|
| Stitch Counts | |
| 7 stitches / inch | CB and back yoke seam Top waistband top stitching Belt loops top stitching Top edge of back pocket top stitch Top stitch below waistband at side seam |
| 9 stitches / inch | Rest of jeans |
| Bar tacks | |
| | Belt loops (top and bottom) Front fly top stitching Bottom front fly Crotch point Top corner of back pockets Out seam stitch detail bottom |
| Chain stitch areas | |
| | Inside bottom waistband Inside back yoke Inside front and back rise Inside inseam Inside bottom hem Outseam seam allowance detail |
| Run and felt seam areas | |
| | CB and CF rise seam Back yoke seam Inseams |

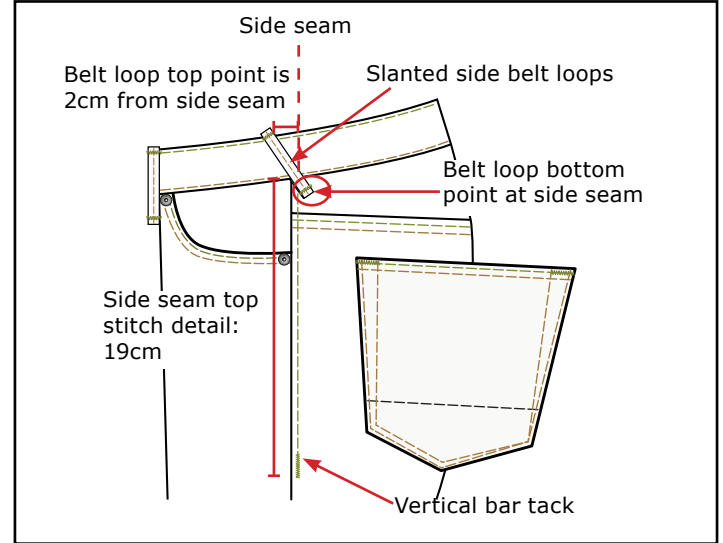
| | | |
|---|--|--|
| Label:  JUNK de LUXE | Description : JDL JEANS GENERAL DETAILS + LABEL INSTRUCTIONS | Date: 18/09/23 Modification date: 17 January 2025 11:17 am |
| | Label instruction no: JDL-0201 | Design : WAI |

Jeans Details

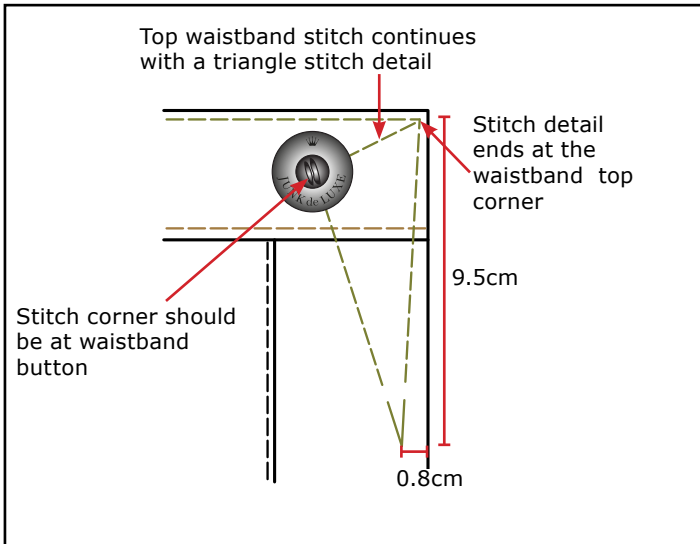
Waistband and Belt loops



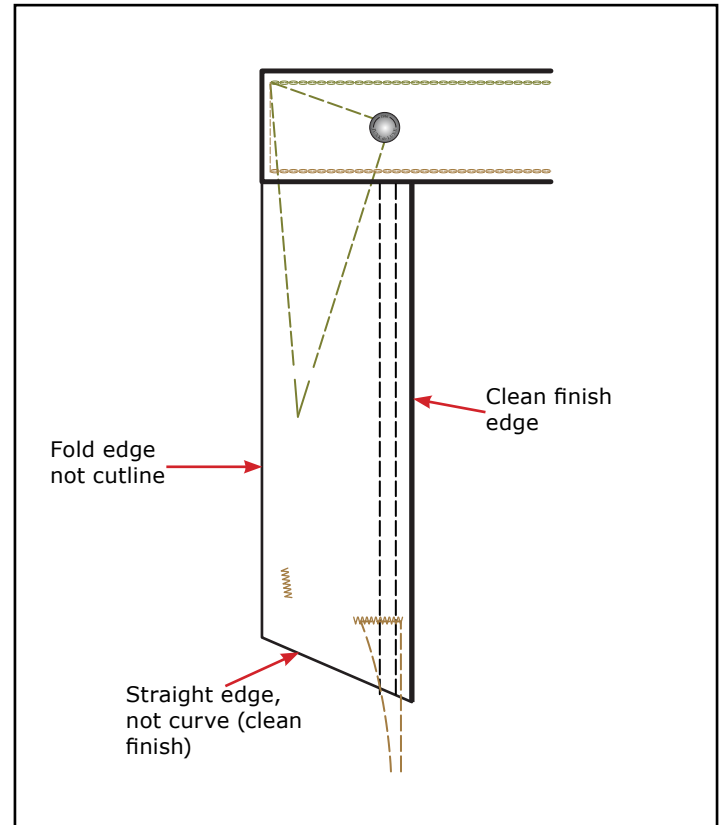
Side Details



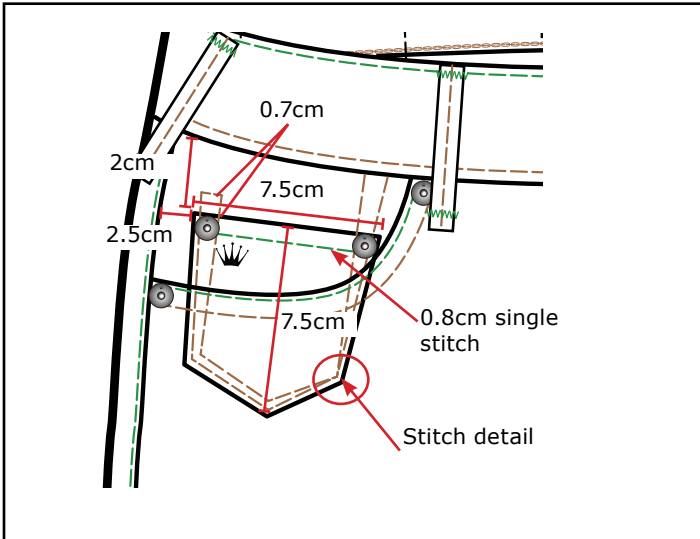
Front Fly Detail




Inside Front Fly Details:

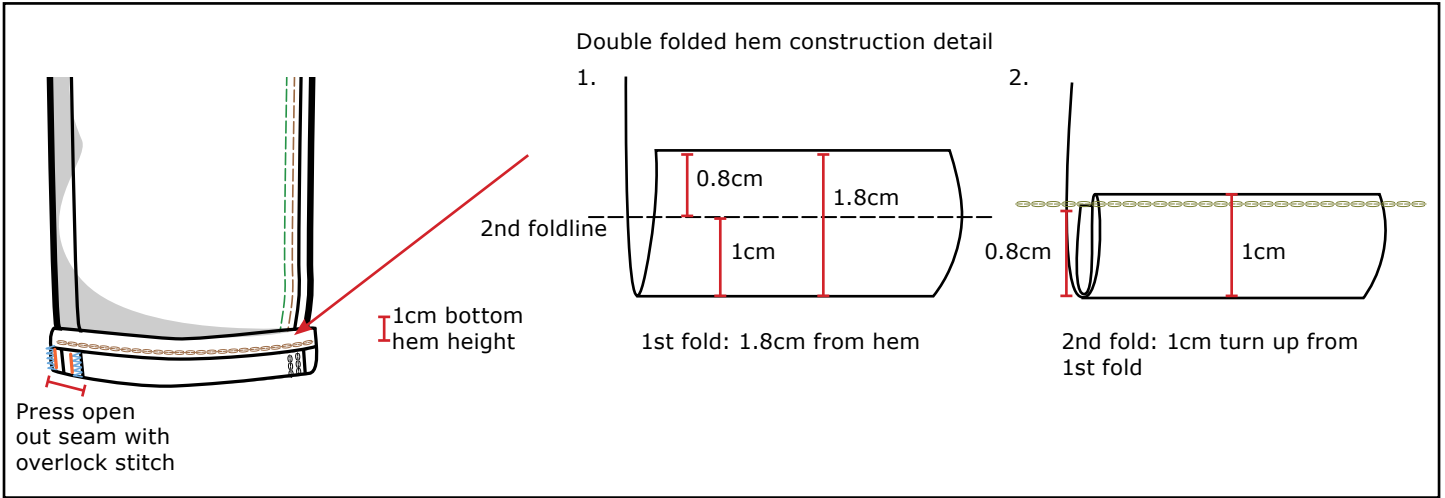


Coin Pocket Shape and Detail



| | | |
|--|--|--|
| Label:  JUNK de LUXE | Description : JDL JEANS GENERAL DETAILS + LABEL INSTRUCTIONS | Date: 18/09/23 Modification date: 17 January 2025 11:17 am |
| | Label instruction no: JDL-0201 | Design : WAI |

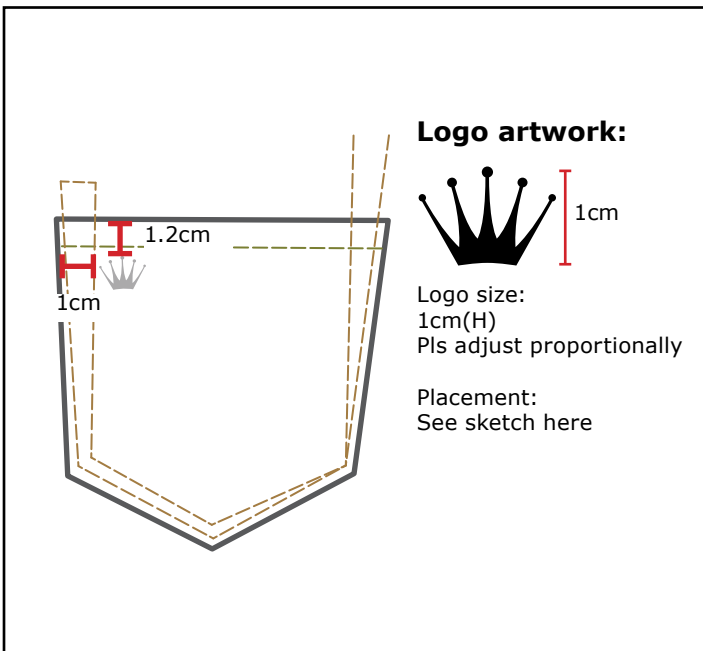
Bottom Hem Detail



Press open seam construction




Crown logo embroidery



Slanted belt loop at side seam



| | | |
|---|--|--|
| Label:  JUNK de LUXE | Description : JDL JEANS GENERAL DETAILS + LABEL INSTRUCTIONS | Date: 18/09/23 Modification date: 17 January 2025 11:17 am |
| | Label instruction no: JDL-0201 | Design : WAI |

Labels Instructions

Main label JDL-905

Placement:
CB inside waistband, stitch at 2 side edges, tonal color to label, centered

Attach label after wash



Size label JDL-922

Placement:
CB, at inside waistband bottom edge



Care label JDL-930

Placement:
at left side as worn inside waistband bottom, 8cm from CF



Jeans fit label JDL-629 (0.1, 0.2, 0.3....etc)

Placement:
at right side as worn inside waistband, 13cm from CF, centered at waistband height, stitch 2 side edges only, tonal color to label

Attach label after wash



Important: please change the fit label according to different fit of the style (J-01; J-02; J-03, etc)

Wasitband badge

see badge style + color in tech pack

Placement:
at right side as worn waistband, 8.5cm from CB, badge top edge needs to align with the waistband top edge, stitch all 4 edges, tonal stitch color to badge




Story teling labels (if requested)

see style tech pack for story telling label info

Placement:
at left side as worn inside waistband, 10cm from CF, centered at waistband height, stitch around all edges, tonal color to label



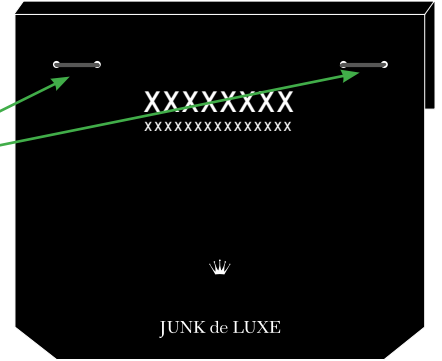
| | | |
|---|--|--|
| Label:  JUNK de LUXE | Description : JDL JEANS GENERAL DETAILS + LABEL INSTRUCTIONS | Date: 18/09/23 Modification date: 17 January 2025 11:17 am |
| | Label instruction no: JDL-0201 | Design : WAI |

**Story Telling Back Pocket Tag
JDL-804 (.1, .2, .3...etc)**

see style tech pack for story telling pocket tag info

Placement:
At right side as worn back pocket, middle of pocket opening
pls attach with hand stitch, tonal color to pocket tag

Hand tacking with tonal color thread, it is very important that the tacking is at the holes provided at the override tag
NO PLASTIC TAGS!



**Jeans Fit Info Override Tag
JDL-803**

Placement:
At right side as worn waistband place the paper tag right next to the waistband badge towards CB side (touching badge side edge)



JDL-803.1

JDL-803.2

JDL-803.3

JDL-803.4

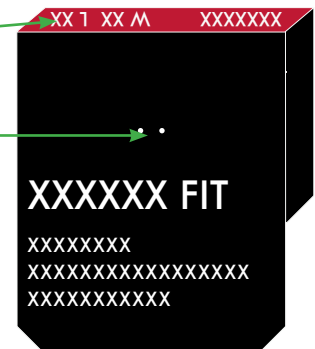
JDL-803.5

JDL-803.6


Only illustration example

Change size info accordingly!

Hand tacking With tonal color thread, it is very important the tacking is at the holes provided at the override tag
NO PLASTIC TAGS!

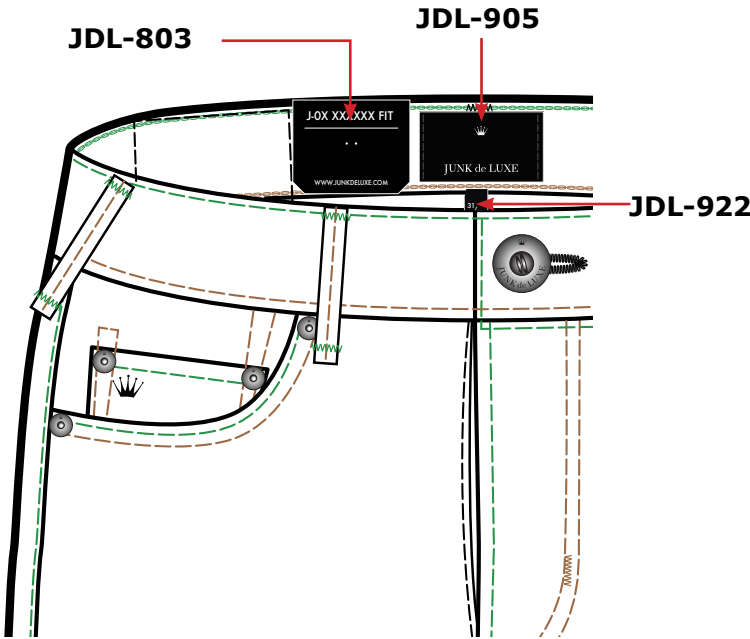


Important:
please change the fit info tag (JDL-803.1; JDL-803.2, JDL-803.3...etc.) according to different fit of the style (see style TP)

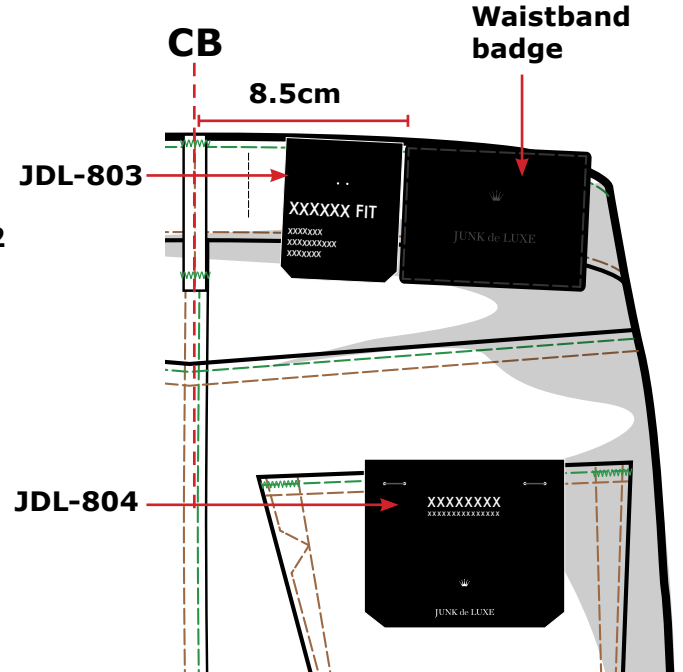
| | | |
|--|--|--|
| Label:  JUNK de LUXE | Description : JDL JEANS GENERAL DETAILS + LABEL INSTRUCTIONS | Date: 18/09/23 Modification date: 17 January 2025 11:17 am |
| | Label instruction no: JDL-0201 | Design : WAI |

Label instruction Overview

Front



Back



Front interior

