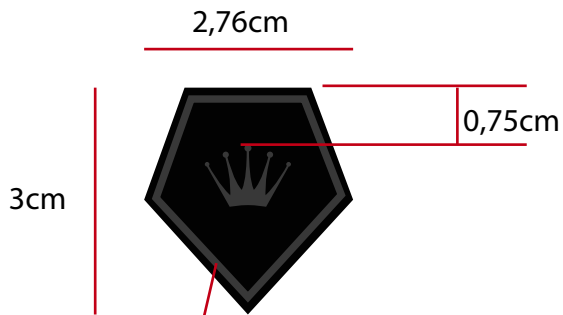
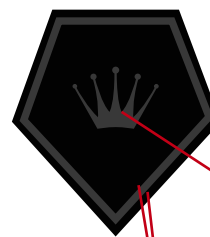


 JUNK de LUXE	Date: 15.1.2018 modifications: 18.1.18	Design: WAI	Style Name:	Style no: JDL-113
	Description: JDL RUBBER LOGO BADGE			Label instruction nr.:

rubber logo badge
JDL-113



badge thickness - 2mm



embossed (sink in) logo size:
1,14cm (W) x 0,8cm(H)

1mm wide embossed (sink in)
line for stitching

tonal emboss rubber badge ref



pls follow original sample for rubber quality