


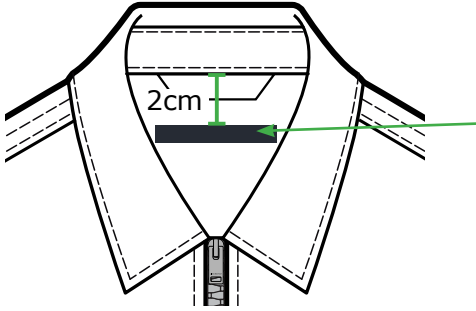


<b>Label:</b>   JUNK de LUXE	<b>Description :</b> OUTERWEAR	<b>Date:</b> 13/09/23 <b>Modification date:</b> 13 September 2023 11:30 am
	<b>Label instruction no:</b> JDL-3502	<b>Design :</b> WAI

## Labels Instructions

### Main label + size label + extra label

#### Placement:



#### Main label JDL-906



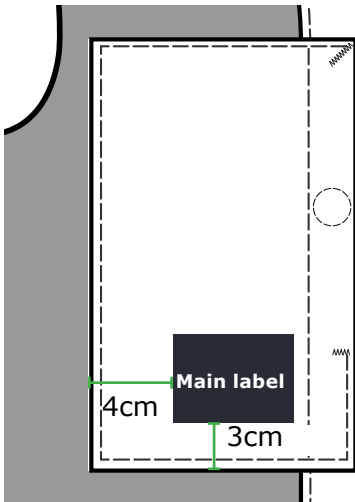
Stitch only 2 side edges.

Unless mentioned otherwise in tech pack

#### Story telling labels

See tech pack for label ref number and placement

#### Left side as worn inner patch pocket:



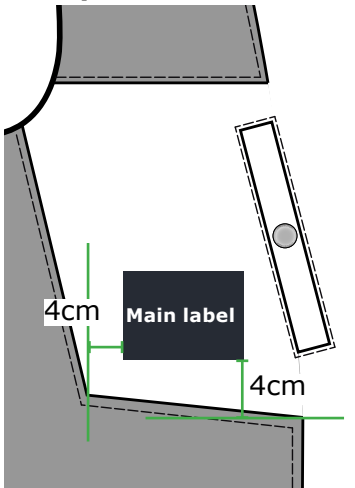
#### Main label JDL-904



Stitch all edges.

Unless mentioned otherwise in tech pack

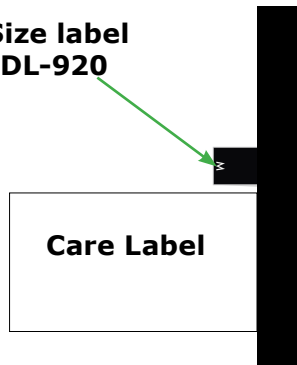
#### Left side as worn inner welt pocket:



#### Size label + Care label:

At left side as worn inner pocket facing edge; centered

#### Size label JDL-920



#### Care label JDL-930

