
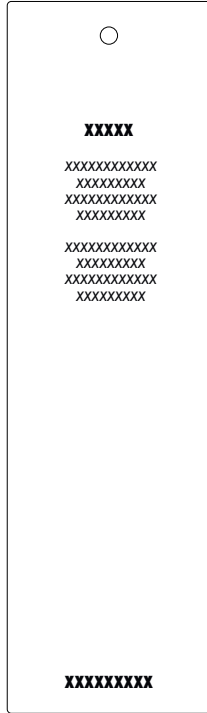
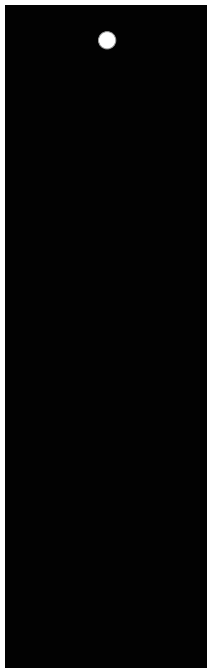
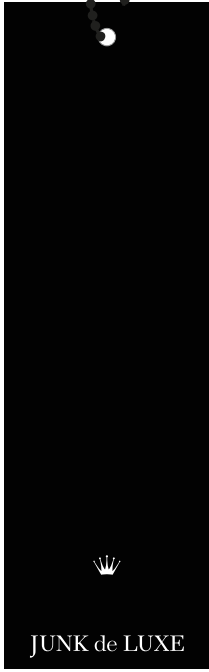
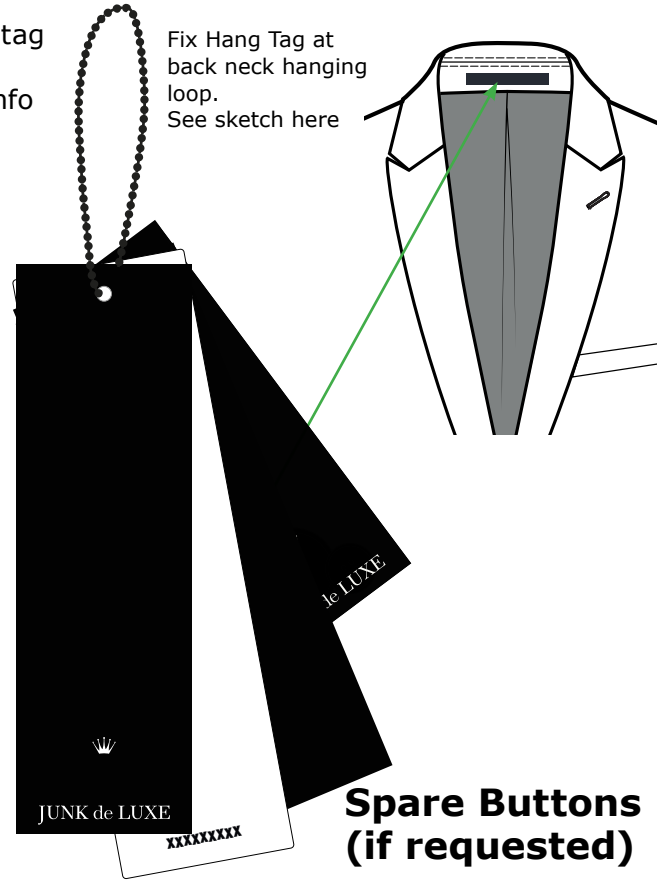


Label:  JUNK de LUXE	Description : SUITING BLAZER	Date: 13/09/23 Modification date: 13 September 2023 11:27 am
	Label instruction no: JDL-3800	Design : WAI

Main hang tag

Hang tag
JDL-800

+ extra price hang tag JDL-801, if story telling hang tag is needed
 + Story telling hang tag (if any) - see tech pack for info



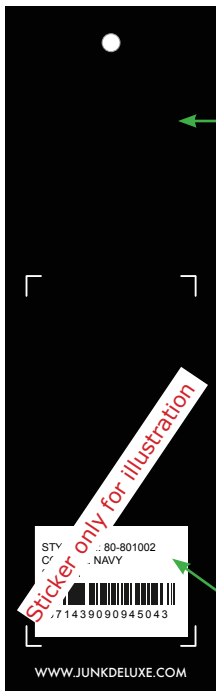
Spare Buttons (if requested)

Pls add button envelop to back of hang tag

Sticker

For Salesman Sample

For Bulk Production



Add at back side of last hang tag

Barcode placement (for production only)

Place price sticker at fixing points.

Follow instruction no. : 007 salesman sticker



STYLE NO.: XX-00000

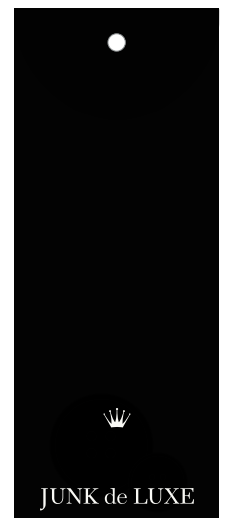


COL: Charcoal

SIZE: 39/40


DKK	3000.00
SEK	3000.00
NOK	3000.00
EUR	350.00
GBP	350.00

Recommended retail price. Price may differ due to local VAT and economic conditions



Button Envelop
JDL-901

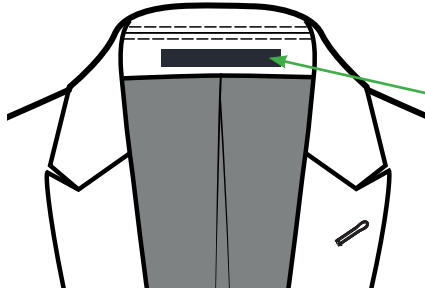
Sticker Placement: needs to be placed inside the marks on hang tags

Label:  JUNK de LUXE	Description : SUITING BLAZER	Date: 13/09/23 Modification date: 13 September 2023 11:27 am
	Label instruction no: JDL-3800	Design : WAI

Labels Instructions

Main label + size label + extra label

Placement:



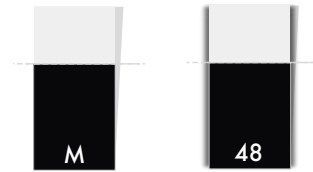
Main label JDL-906

Stitch only 2 side edges;
as hanging loop.

Unless mentioned
otherwise in tech pack

Size label

JDL-920 JDL-921

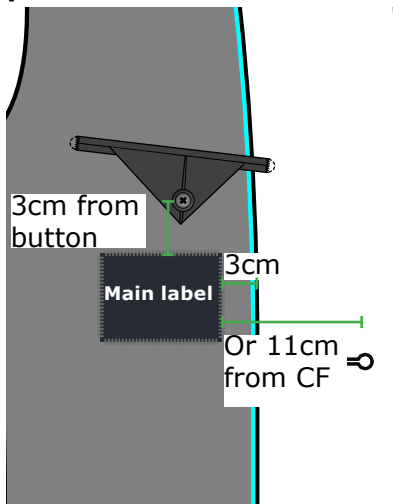


**Please use the correct
size label according to
requested size range**

Care label JDL-930



At left side as worn inner pocket:



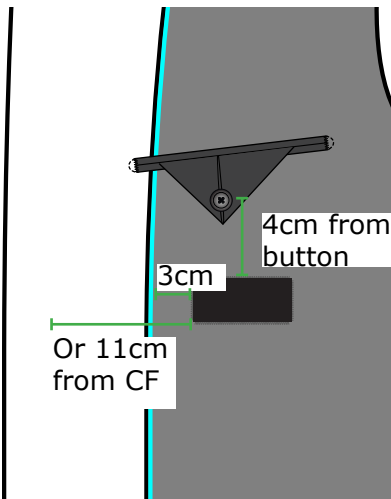
Main label JDL-904



Stitch all edges with zig zag
stitch.

Unless mentioned otherwise in
tech pack

At right side as worn inner pocket:



Fabric supplier label (if available)

Attach with zig zag stitch

Size label + Care label:

At left side as worn inner
pocket facing bottom edge;
centered

