
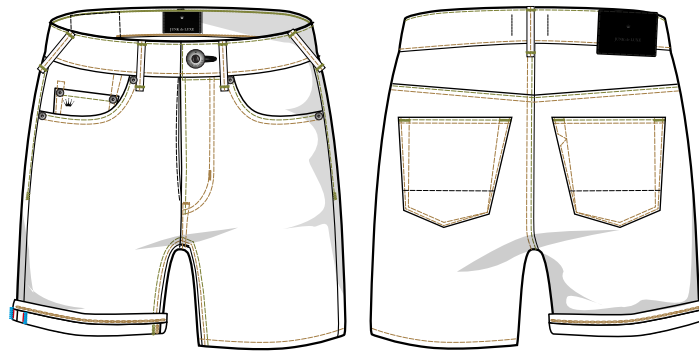


<b>Label:</b>   JUNK de LUXE	<b>Description :</b> JDL DENIM SHORTS GENERAL DETAILS + LABEL INSTRUCTIONS	<b>Date:</b> 18/09/23 <b>Modification date:</b> 17 January 2025 11:20 am
	<b>Label instruction no:</b> JDL-5002	<b>Design :</b> WAI



## JDL DENIM SHORTS GENERAL DETAILS


### J-04 REGULAR FIT SHORTS

Please fold up hem 2 times when deliver/packing,  
2.5cm(H) on each fold

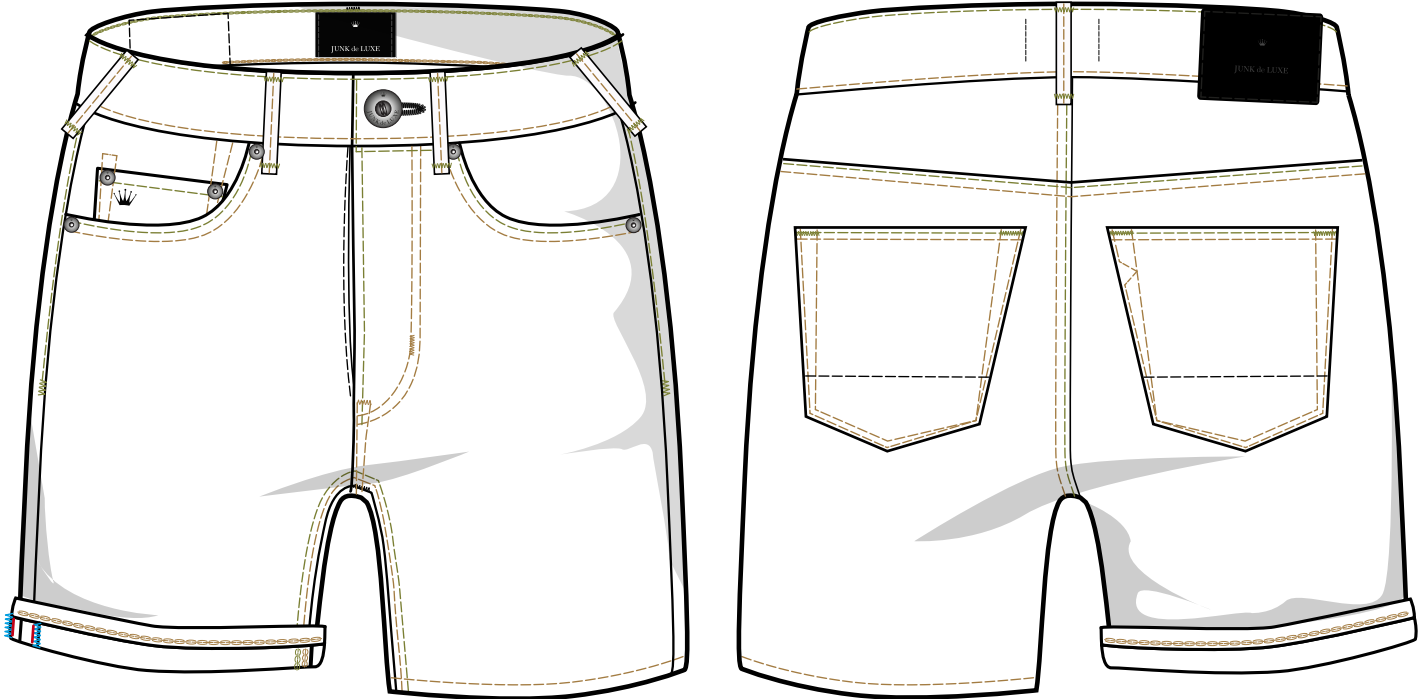
### J-05 LOOSE FIT SHORTS

### J-06 EXTRA LOOSE FIT SHORTS

No fold up hem when deliver


<b>Label:</b>   <b>JUNK de LUXE</b>	<b>Description :</b> JDL DENIM SHORTS GENERAL DETAILS + LABEL INSTRUCTIONS	<b>Date:</b> 18/09/23 <b>Modification date:</b> 17 January 2025 11:20 am
	<b>Label instruction no:</b> JDL-5002	<b>Design :</b> WAI

## Stitching Details



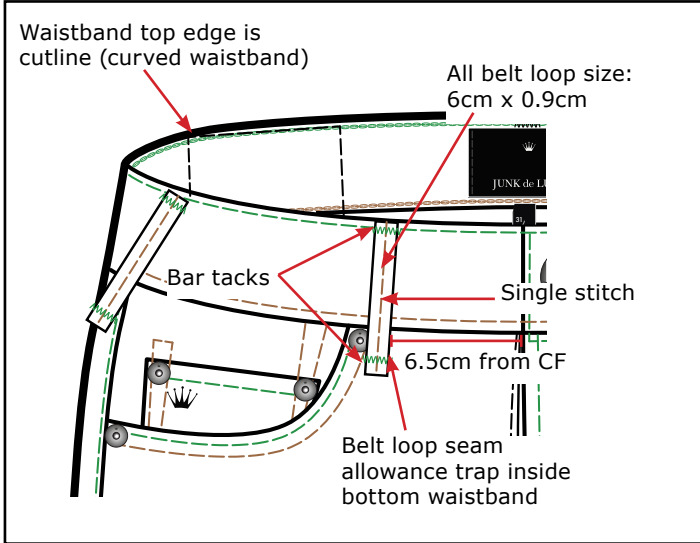
**Only to illustrate stitch detail**

<b>Stitch Counts</b>	
7 stitches / inch	CB and back yoke seam Top waistband top stitching Belt loops top stitching Top edge of back pocket top stitch Top stitch below waistband at side seam
9 stitches / inch	Rest of jeans
<b>Bar tacks</b>	
	Belt loops (top and bottom) Front fly top stitching Bottom front fly Crotch point Top corner of back pockets Out seam stitch detail bottom
<b>Chain stitch areas</b>	
	Inside bottom waistband Inside back yoke Inside front and back rise Inside inseam Inside bottom hem Outseam seam allowance detail
<b>Run and felt seam areas</b>	
	CB and CF rise seam Back yoke seam Inseams

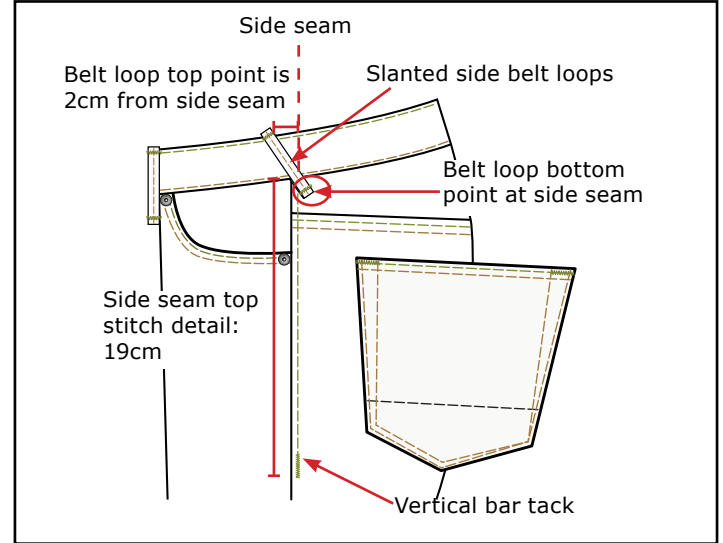
<b>Label:</b>   JUNK de LUXE	<b>Description :</b> JDL DENIM SHORTS GENERAL DETAILS + LABEL INSTRUCTIONS	<b>Date:</b> 18/09/23 <b>Modification date:</b> 17 January 2025 11:20 am
	<b>Label instruction no:</b> JDL-5002	<b>Design :</b> WAI

## Jeans Details

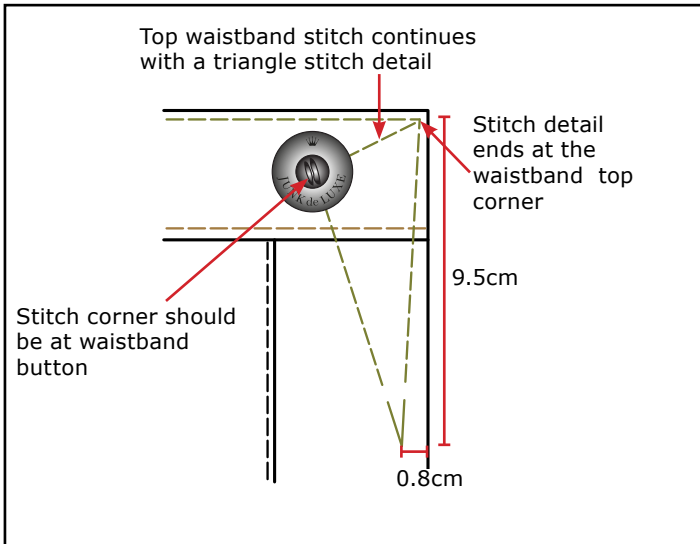
### Waistband and Belt loops



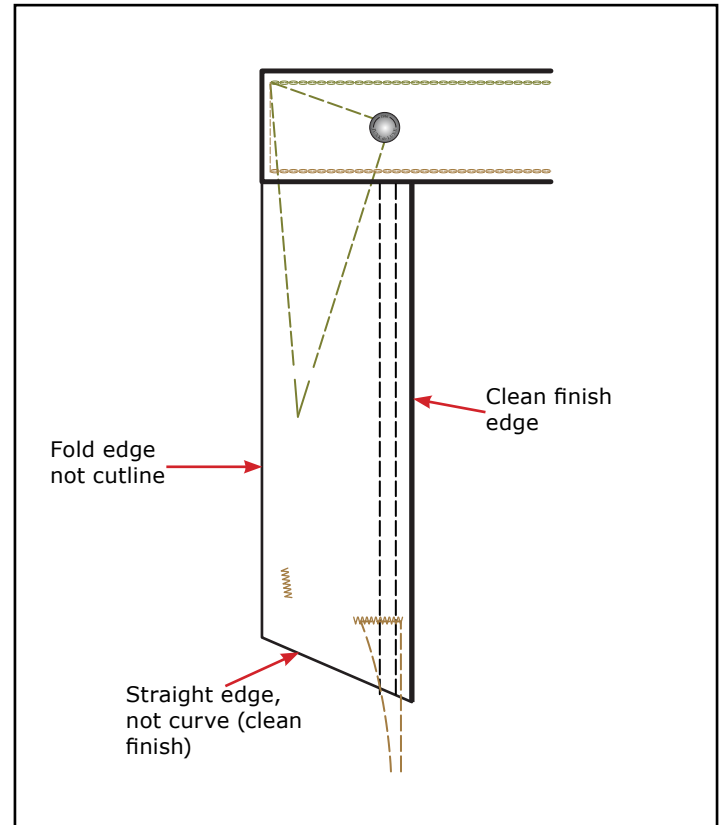
### Side Details



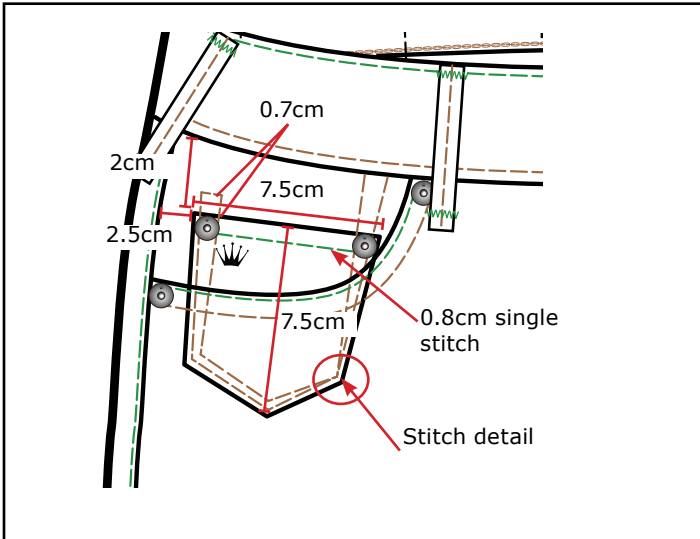
### Front Fly Detail




### Inside Front Fly Details:

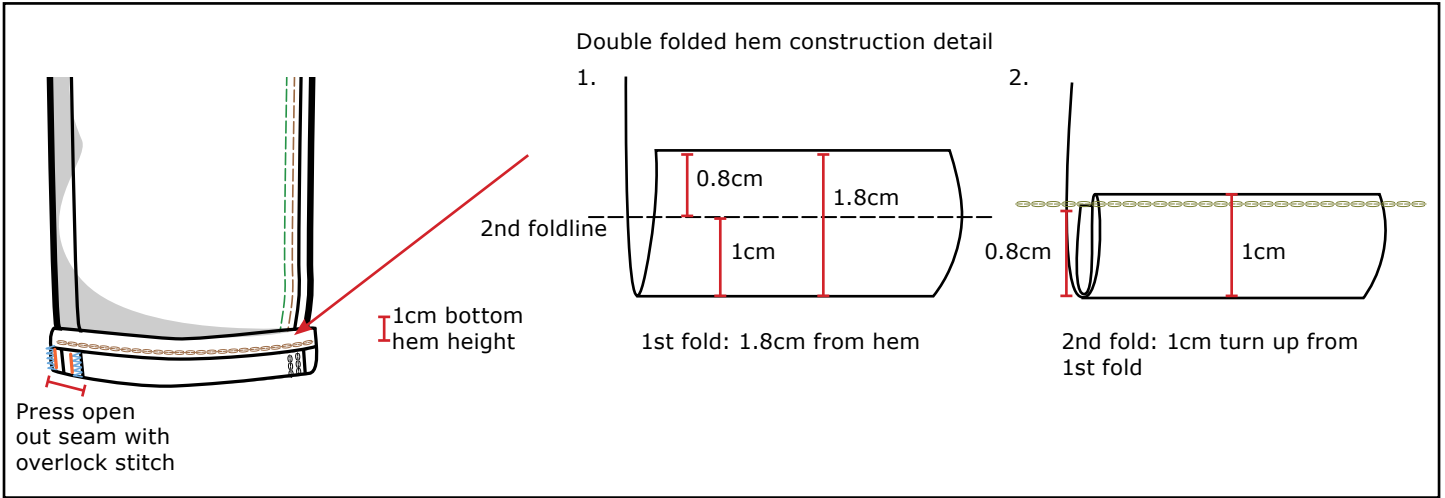


### Coin Pocket Shape and Detail



<b>Label:</b>   <b>JUNK de LUXE</b>	<b>Description :</b> JDL DENIM SHORTS GENERAL DETAILS + LABEL INSTRUCTIONS	<b>Date:</b> 18/09/23 <b>Modification date:</b> 17 January 2025 11:20 am
	<b>Label instruction no:</b> JDL-5002	<b>Design :</b> WAI

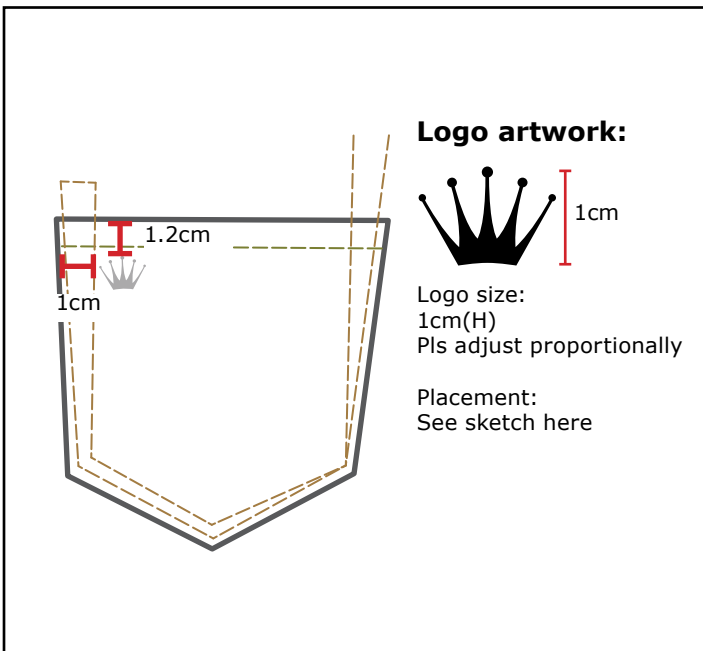
### Bottom Hem Detail



### Press open seam construction




### Crown logo embroidery

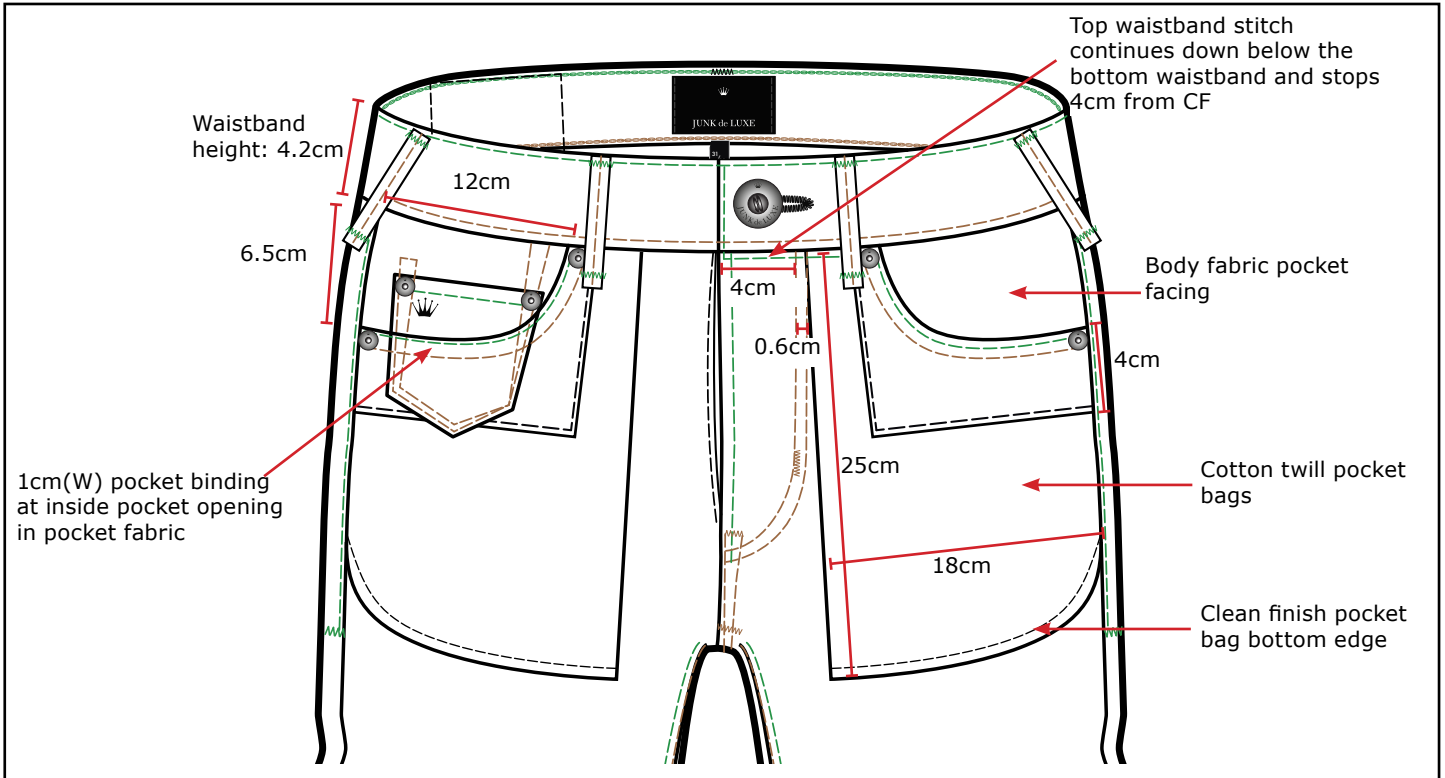


### Slanted belt loop at side seam

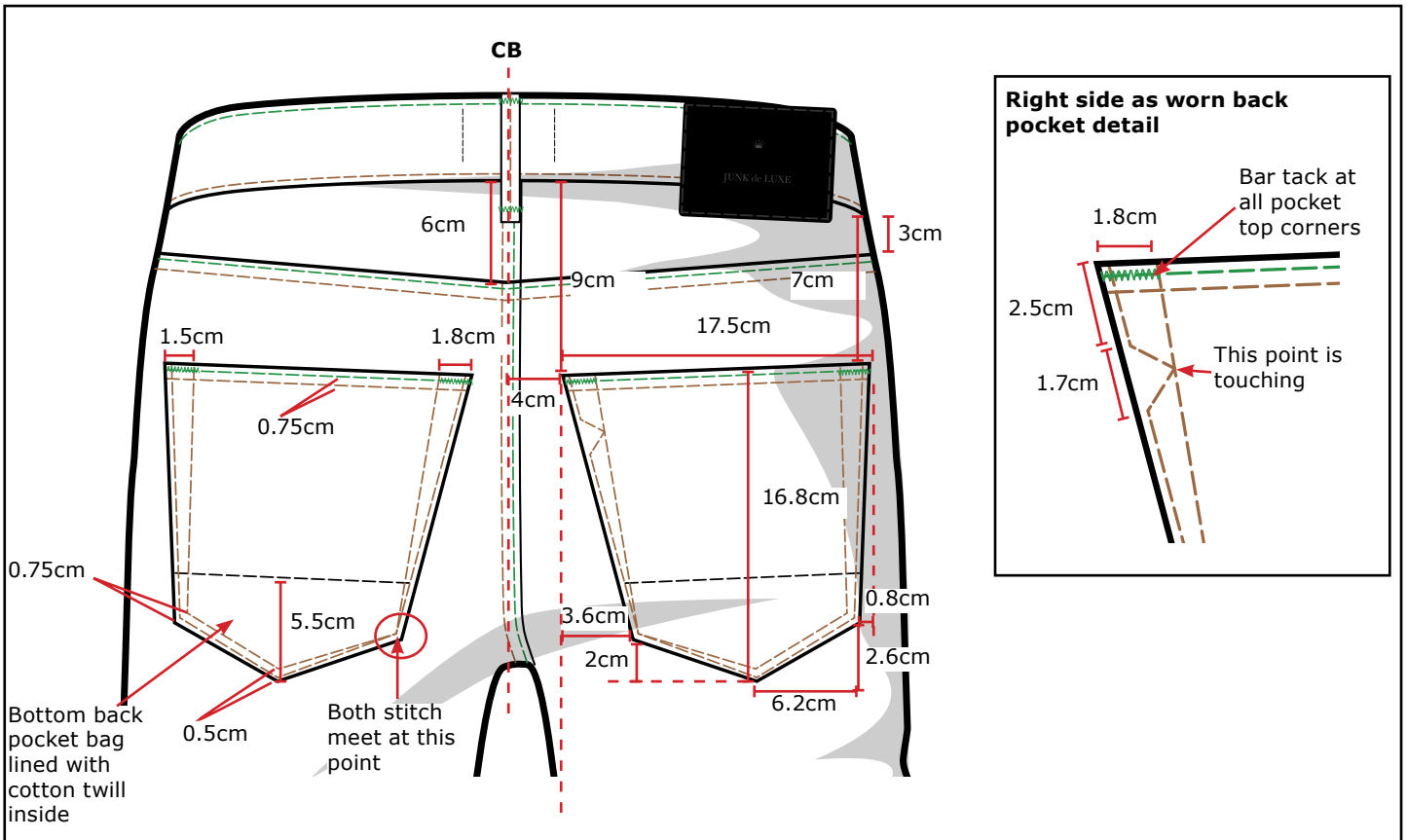


<b>Label:</b>   JUNK de LUXE	<b>Description :</b> JDL DENIM SHORTS GENERAL DETAILS + LABEL INSTRUCTIONS	<b>Date:</b> 18/09/23 <b>Modification date:</b> 17 January 2025 11:20 am
	<b>Label instruction no:</b> JDL-5002	<b>Design :</b> WAI


### Front Pocket Details:



### Back Pocket Details:





<b>Label:</b>   JUNK de LUXE	<b>Description :</b> JDL DENIM SHORTS GENERAL DETAILS + LABEL INSTRUCTIONS	<b>Date:</b> 18/09/23 <b>Modification date:</b> 17 January 2025 11:20 am
	<b>Label instruction no:</b> JDL-5002	<b>Design :</b> WAI

## Labels Instructions

### Main label JDL-905

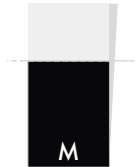
Placement:  
CB inside waistband, stitch at 2 side edges, toanal color to label, centered

**Attach label after wash**



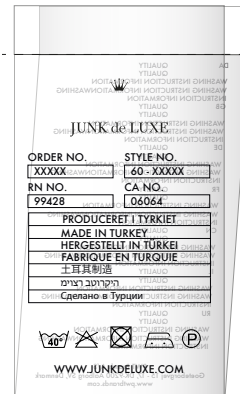
### Size label JDL-920

Placement:  
CB, at inside waistband bottom edge



### Care label JDL-930

Placement:  
at left side as worn inside waistband bottom, 8cm from CF



### Jeans fit label JDL-629 (0.4, 0.5....etc)

Placement:  
at right side as worn inside waistband, 13cm from CF, centered at waistband height, stitch 2 side edges only, tonal color to label

**Attach label after wash**



**Important:** please change the fit label according to different fit of the style (J-04; J-05, etc)

### Wasitband badge

**see badge style + color in tech pack**

Placement:  
at right side as worn waistband, 8.5cm from CB, badge top edge needs to align with the waistband top edge, stitch all 4 edges, tonal stitch color to badge




### Story teling labels (if requested)

**see style tech pack for story telling label info**

Placement:  
at left side as worn inside waistband, 10cm from CF, centered at waistband height, stitch around all edges, tonal color to label



<b>Label:</b>   JUNK de LUXE	<b>Description :</b> JDL DENIM SHORTS GENERAL DETAILS + LABEL INSTRUCTIONS	<b>Date:</b> 18/09/23 <b>Modification date:</b> 17 January 2025 11:20 am
	<b>Label instruction no:</b> JDL-5002	<b>Design :</b> WAI

**Story Telling Back Pocket Tag  
JDL-804 (.1, .2, .3...etc)**

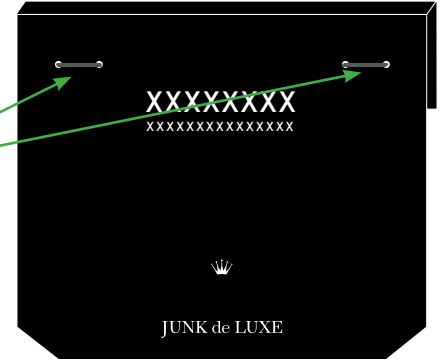
see style tech pack for story telling pocket tag info

Placement:

At right side as worn back pocket, middle of pocket opening

pls attach with hand stitch, tonal color to pocket tag

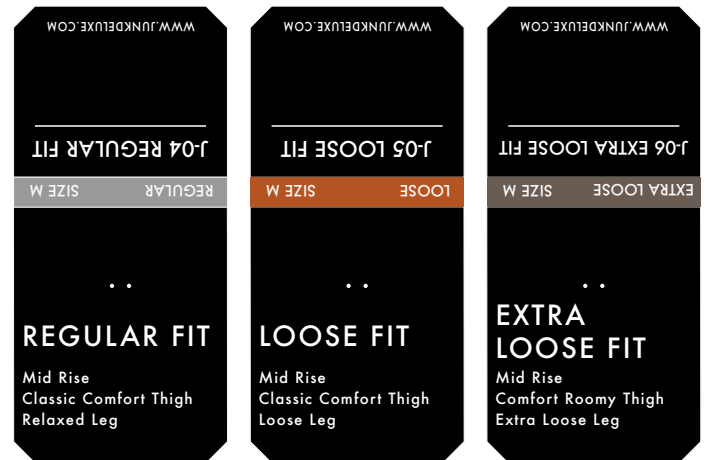
Hand tacking with tonal color thread, it is very important that the tacking is at the holes provided at the override tag  
**NO PLASTIC TAGS!**



**Jeans Fit Info Override Tag  
JDL-803**

Placement:

At right side as worn waistband place the paper tag right next to the waistband badge towards CB side (touching badge side edge)



JDL-803.4.1

JDL-803.5.1

JDL-803.6.1

**Only illustration example**

Change size info accordingly!


Hand tacking With tonal color thread, it is very important the tacking is at the holes provided at the override tag

**NO PLASTIC TAGS!**



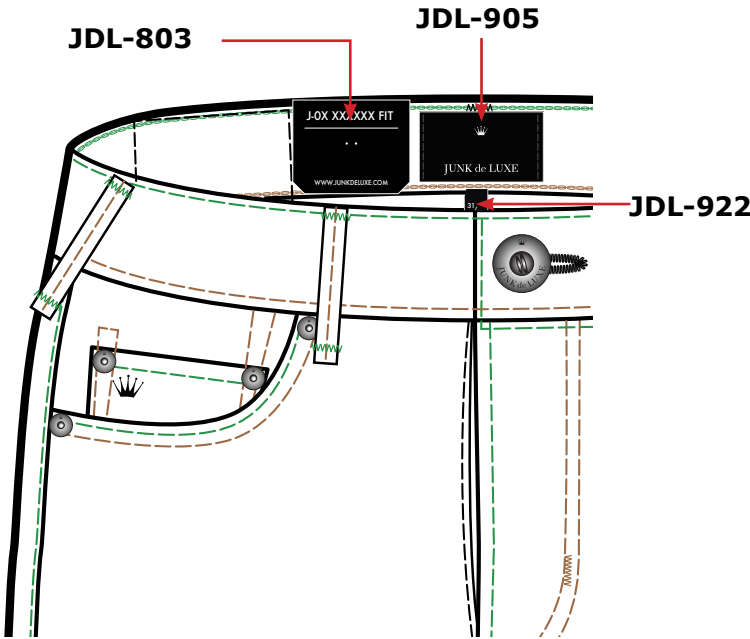
**Important:**

please change the fit info tag (JDL-803.4.1; JDL-803.5.1...etc.) according to different fit of the style (see style TP)

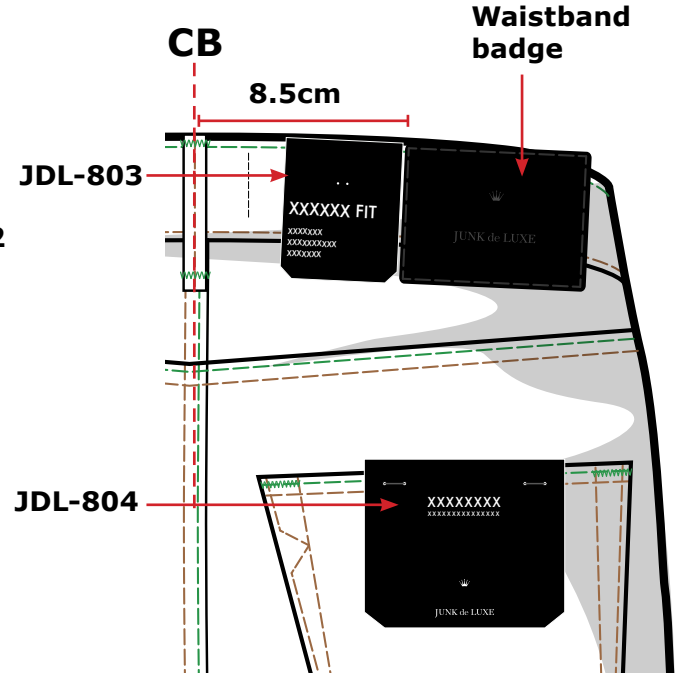
<b>Label:</b>   JUNK de LUXE	<b>Description :</b> JDL DENIM SHORTS GENERAL DETAILS + LABEL INSTRUCTIONS	<b>Date:</b> 18/09/23 <b>Modification date:</b> 17 January 2025 11:20 am
	<b>Label instruction no:</b> JDL-5002	<b>Design :</b> WAI

## Label instruction Overview

### Front



### Back



### Front interior

