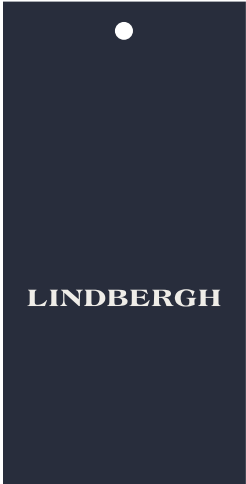


Label: LINDBERGH	Description : LINDBERGH BLUE - OUTERWEAR	Date: 21/02/23 Modification date: 20 June 2025 11:56 am
	Label instruction no: LBB-3502	Design : WAI

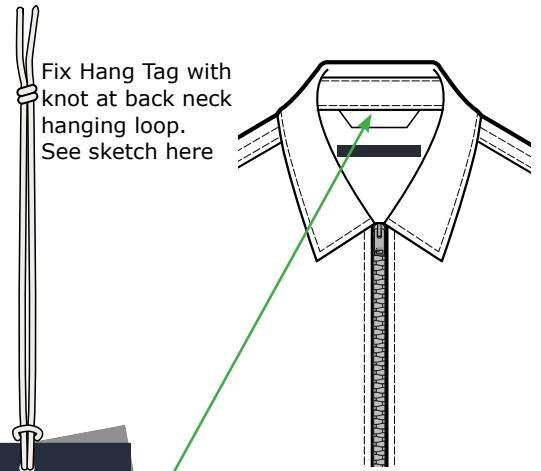
Main hang tag

Hang tag
LBB-999

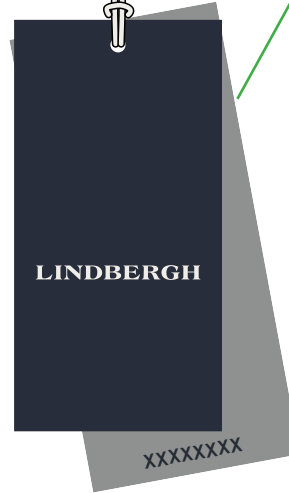
Front



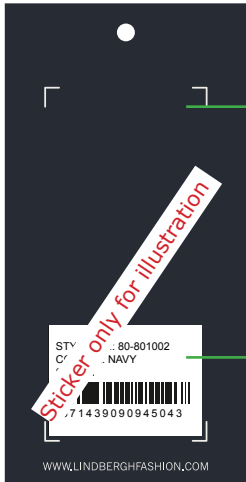
+ Story telling hang tag
(if any)
- see tech pack for info



Fix Hang Tag with
knot at back neck
hanging loop.
See sketch here



STICKER for Salesman Sample



Add at back side of
last hang tag

Follow instruction no. :
007 salesman sticker

Spare Buttons

To be sewn at care label


BARCODE for Production



Add at back side of
last hang tag

Barcode placement
(for production only)
Place price sticker at
fixing points.

STYLE NO.: XX-00000



COL: Charcoal

SIZE: M

DKK	3000.00
SEK	3000.00
NOK	3000.00
EUR	350.00
GBP	350.00

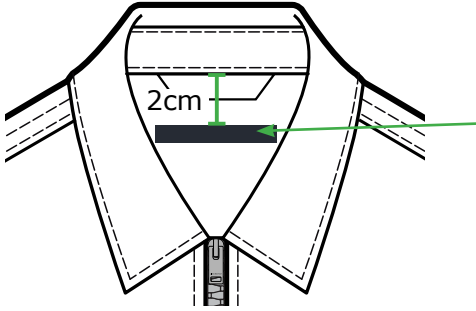
Recommended retail price.
Price may differ due to local VAT
and economic conditions

Label: LINDBERGH	Description : LINDBERGH BLUE - OUTERWEAR	Date: 21/02/23 Modification date: 20 June 2025 11:56 am
	Label instruction no: LBB-3502	Design : WAI

Labels Instructions

Main label + size label + extra label

Placement:



Main label LBB-806

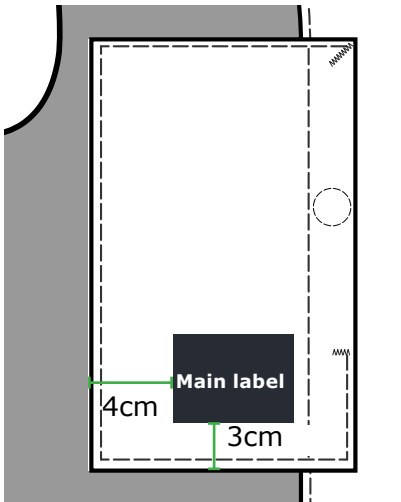

 Stitch only 2 side edges.

Unless mentioned otherwise in tech pack

Story telling labels

See tech pack for label ref number and placement

Left side as worn inner patch pocket:



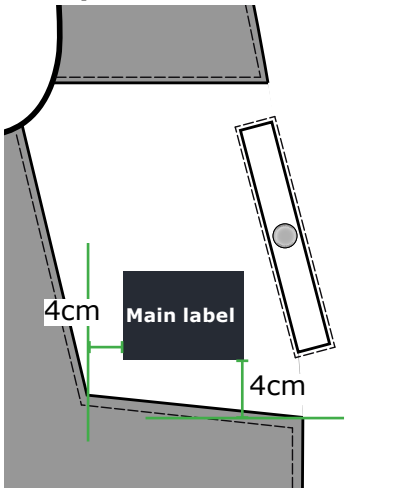
Main label LBB-804



Stitch all edges.

Unless mentioned otherwise in tech pack

Left side as worn inner welt pocket:



Size label + Care label:

At left side as worn inner pocket facing edge; centered

Size label LBB-820



Care Label