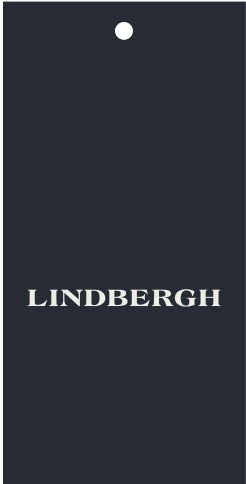


Label: LINDBERGH	Description : LINDBERGH BLUE - BLAZER	Date: 21/02/23 Modification date: 21 February 2023 2:52 pm
	Label instruction no: LBB-3800	Design : WAI

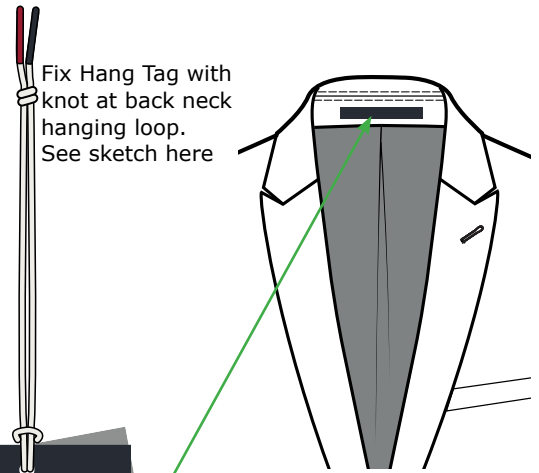
Main hang tag

Hang tag
LBB-999

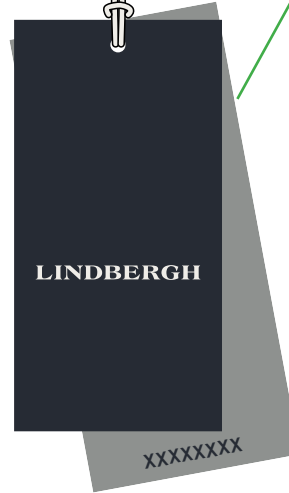
Front



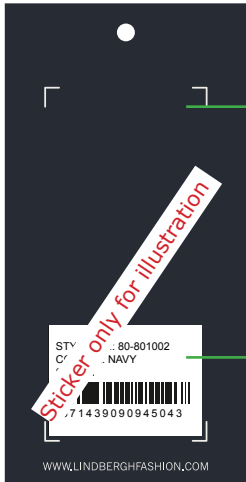
+ Story telling hang tag
(if any)
- see tech pack for info



Fix Hang Tag with knot at back neck hanging loop. See sketch here



STICKER for Salesman Sample



Add at back side of last hang tag

Follow instruction no. : 007 salesman sticker

Spare Buttons

To be sewn at care label

BARCODE for Production



Add at back side of last hang tag

Barcode placement (for production only)
Place price sticker at fixing points.

STYLE NO.: XX-0000

COL: Charcoal

SIZE: 39/40

DKK	3000.00
SEK	3000.00
NOK	3000.00
EUR	350.00
GBP	350.00

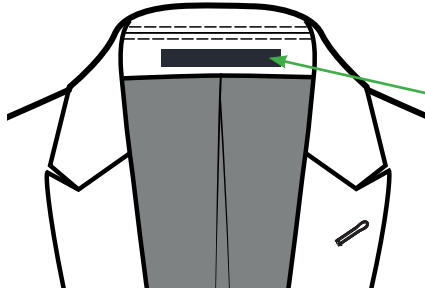
Recommended retail price. Price may differ due to local VAT and economic conditions

Label: LINDBERGH	Description : LINDBERGH BLUE - BLAZER	Date: 21/02/23 Modification date: 21 February 2023 2:52 pm
	Label instruction no: LBB-3800	Design : WAI

Labels Instructions

Main label + size label + extra label

Placement:

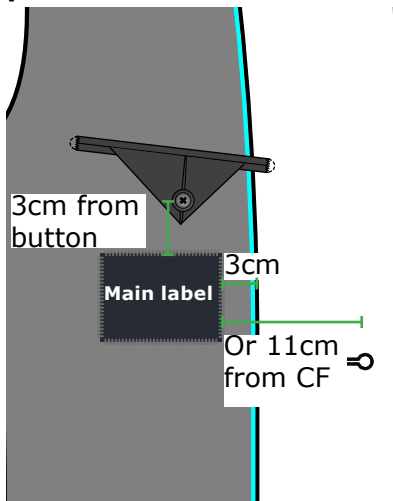


Main label LBB-806

LINDBERGH
Stitch only 2 side edges;
as hanging loop.

Unless mentioned
otherwise in tech pack

At left side as worn inner pocket:



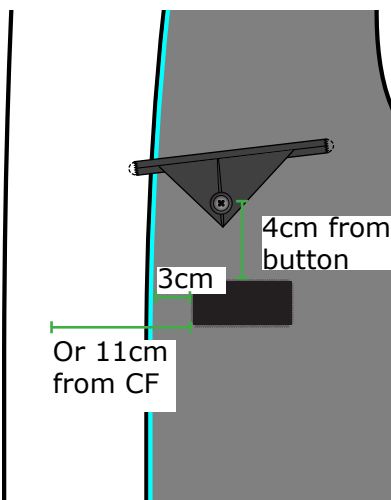
Main label LBB-804



Stitch all edges with zig zag
stitch.

Unless mentioned otherwise in
tech pack

At right side as worn inner pocket:



Fabric supplier label (if available)

Size label

LBB-820 **LBB-821**



**Pls refer to requested size
range to choose correct size
label accordingly**

Size label + Care label:

At left side as worn inner
pocket facing bottom edge;
centered

