

Label: LINDBERGH	Description : LINDBERGH WHITE - RESORT SHIRTS	Date: 04/08/20 Modification date: 9 February 2026 12:43 pm
	Label instruction no: LBH-W-2003	Design : AKR

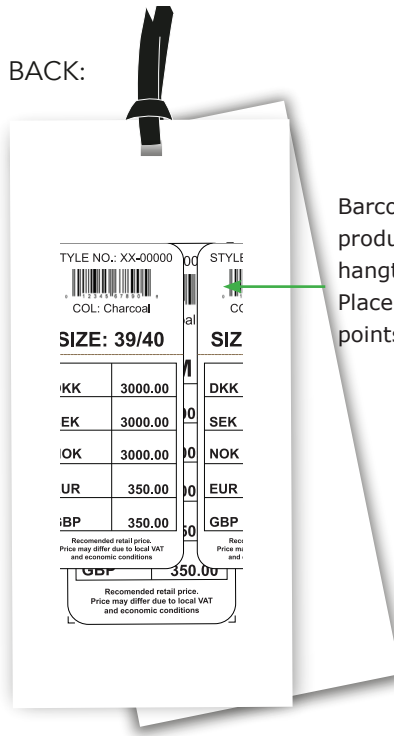
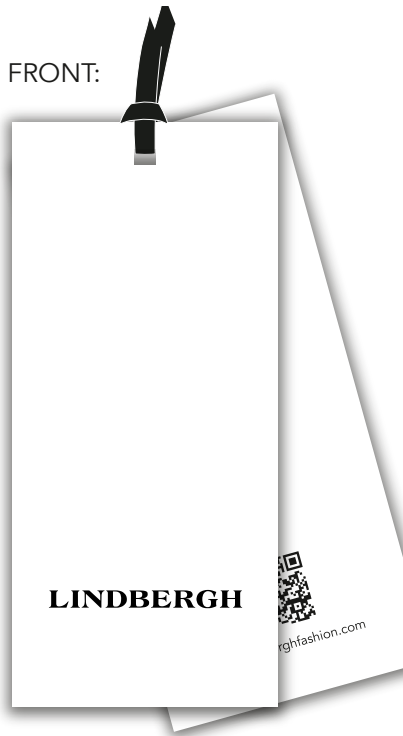
HANGTAG LBH-W-931:

Tag placement

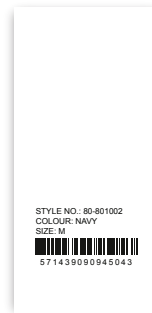
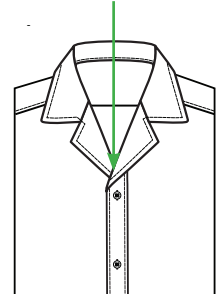
Hangtag must be fixed with knot at 1st button hole. See sketch below

FRONT:

BACK:



Barcode placement (for production only) inside hangtag.
Place price sticker at fixing points.



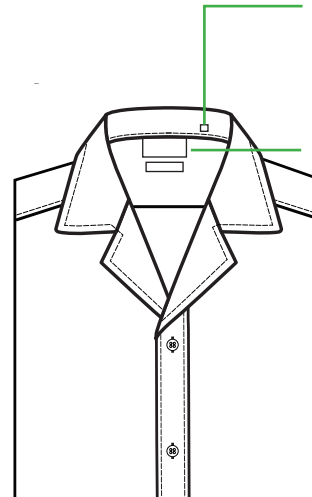
Follow instruction no. :
007 salesman sticker

Label: LINDBERGH	Description : LINDBERGH WHITE - RESORT SHIRTS	Date: 04/08/20 Modification date: 9 February 2026 12:43 pm
	Label instruction no: LBH-W-2003	Design : AKR

LABEL LBH-W-838



PLACEMENT:



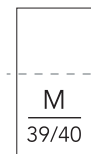
Size label:
Please place 6 cm
from C.B at collar
stand.

Neck label must be
placed 1,5 cm below
collar stand. Stitch
only both sides (open
top/bottom)

PLEASE CHECK MEASUREMENT CHART FOR KIND OF FIT LABEL

SIZE LABEL:

SIZE LABEL LBH-W-841



PLEASE CHECK MEASUREMENT CHART FOR KIND OF SIZE LABEL

Label: LINDBERGH	Description : LINDBERGH WHITE - RESORT SHIRTS	Date: 04/08/20 Modification date: 9 February 2026 12:43 pm
	Label instruction no: LBH-W-2003	Design : AKR

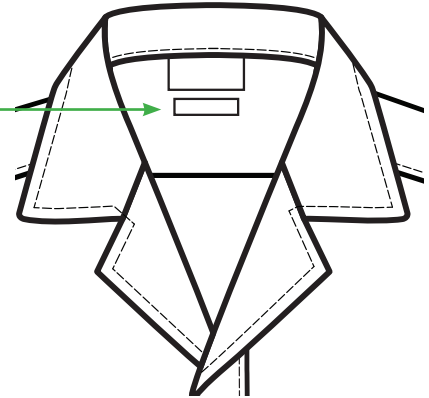
STORYTELLING LABEL:



See program
For label number

PLACEMENT :

Below main label
= 1 cm
Stitch both sides.
Col. match label colour



2 STORYTELLING LABELS:

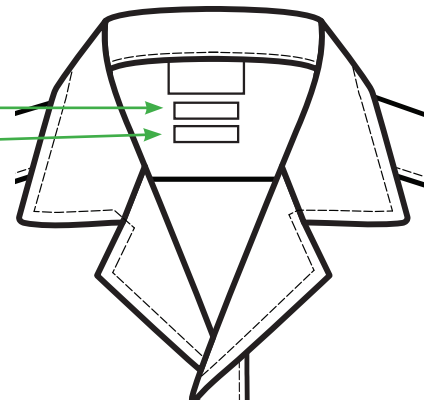


See program
For label number

PLACEMENT :

Distance between
the storytelling
labels is 1 cm
Stitch both sides.
Col. match label colour

Storytelling label 1
Storytelling label 2



Label: LINDBERGH	Description : LINDBERGH WHITE - RESORT SHIRTS	Date: 04/08/20 Modification date: 9 February 2026 12:43 pm
	Label instruction no: LBH-W-2003	Design : AKR

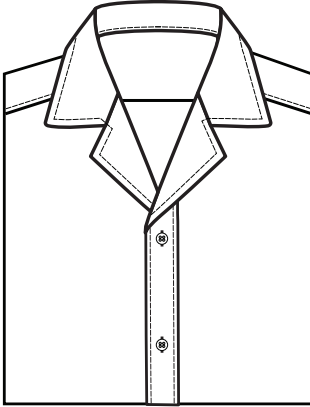
Folding and packing instruction. Resort collar

Folded and packed:

Width: 28 cm

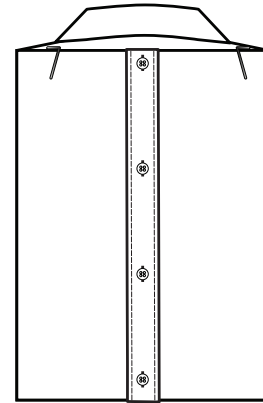
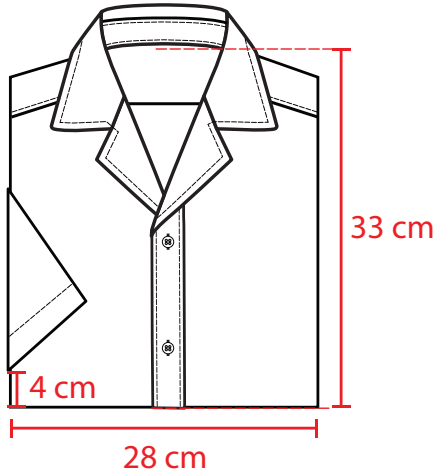
Height: 33 cm

L/S:



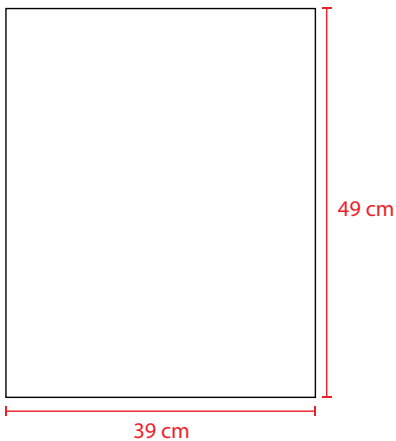
No metal needle
in the shirt

S/S:



Please use plastic clips
to fix the shirt

Tissue paper



4 layers of
tissue paper