

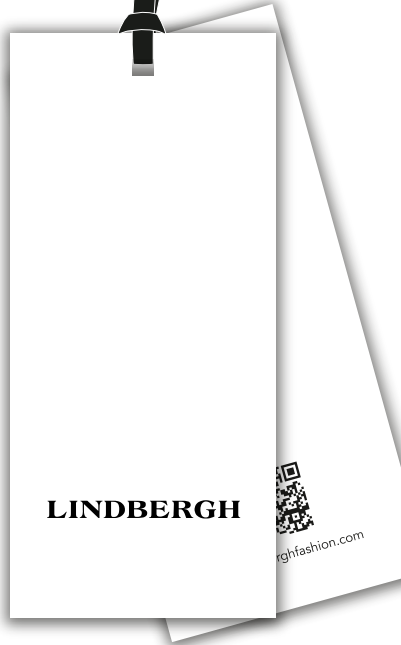
<b>Label:</b> <b>LINDBERGH</b>	<b>Description :</b> LINDBERGH WHITE - Casual SHIRTS - all fit + sizes	<b>Date:</b> 20/11/25 <b>Modification date:</b> 8 May 2026 9:01 am
	<b>Label instruction no:</b> LBH-W-2007	<b>Design :</b> <b>AKR</b>

HANGTAG LBH-W-931:

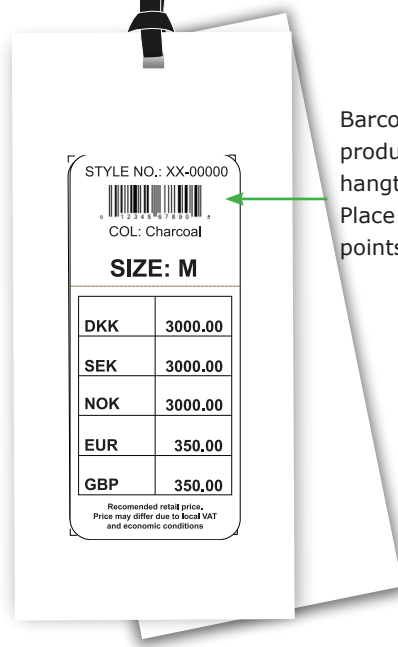
**Tag placement**

Hangtag must be fixed with knot at 2nd button hole. See sketch below

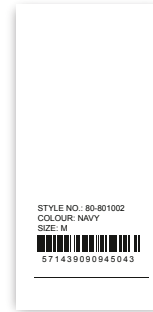
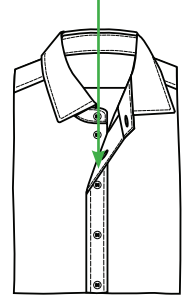
FRONT:



BACK:



Barcode placement (for production only) inside hangtag.  
Place price sticker at fixing points.



Follow instruction no. :  
007 salesman sticker

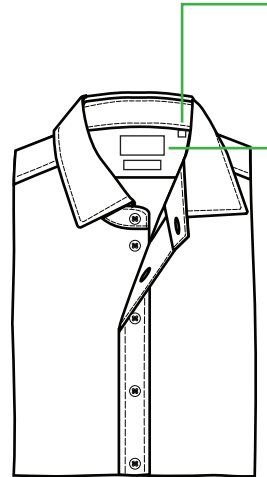
<b>Label:</b> <b>LINDBERGH</b>	<b>Description :</b> LINDBERGH WHITE - Casual SHIRTS - all fit + sizes	<b>Date:</b> 20/11/25 <b>Modification date:</b> 8 May 2026 9:01 am
	<b>Label instruction no:</b> LBH-W-2007	<b>Design :</b> <b>AKR</b>

LABEL LBH-W-838



**PLACEMENT:**

Size label:  
Please place 6 cm  
from C.B at collar  
stand.

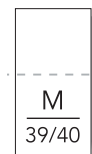


Neck label must be  
placed 1,5 cm below  
collar stand. Stitch  
only both sides (open  
top/bottom)

**PLEASE CHECK MEASUREMENT CHART  
FOR KIND OF FIT LABEL**

SIZE LABEL:

SIZE LABEL LBH-W-841



**PLEASE CHECK MEASUREMENT CHART FOR KIND OF SIZE LABEL**

<b>Label:</b> <b>LINDBERGH</b>	<b>Description :</b> LINDBERGH WHITE - Casual SHIRTS - all fit + sizes	<b>Date:</b> 20/11/25 <b>Modification date:</b> 8 May 2026 9:01 am
	<b>Label instrution no:</b> LBH-W-2007	<b>Design :</b> <b>AKR</b>

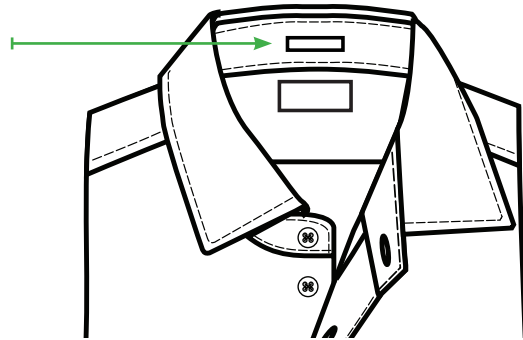
STORYTELLING LABEL:



See program  
For label number  
And sewing details.

**PLACEMENT :**

Center placed at  
collarband.



<b>Label:</b> <b>LINDBERGH</b>	<b>Description :</b> LINDBERGH WHITE - Casual SHIRTS - all fit + sizes	<b>Date:</b> 20/11/25 <b>Modification date:</b> 8 May 2026 9:01 am
	<b>Label instruction no:</b> LBH-W-2007	<b>Design :</b> AKR

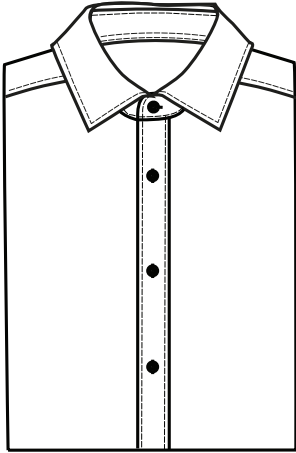
## Soft folding and packing instruction

Folded and packed:

Width: 24 cm

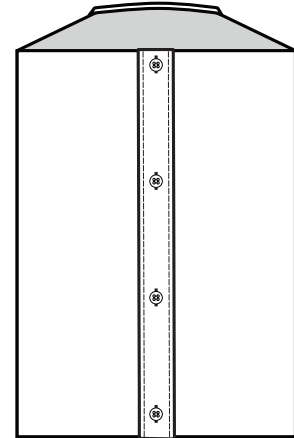
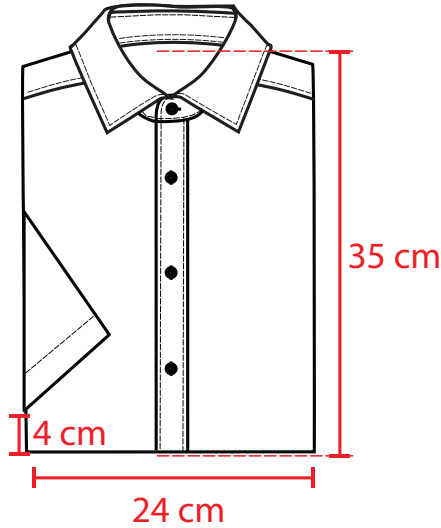
Height: 35 cm

**L/S:**

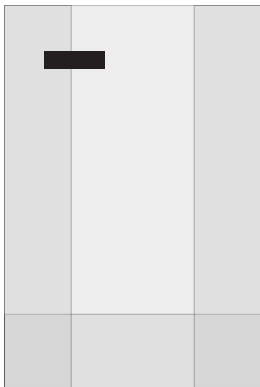


No metal needle  
in the shirt

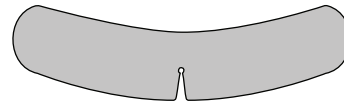
**S/S:**



No plastic clips  
to fix the shirt



2 LAYERS OF TISSUE.  
(NO CARD BOARD)  
33 X 48cm



SINGLE BUTTERFLY TO FIX COLLAR.

EACH GARMENT PACKED W/ BUTTERFLY  
UNDERNEATH COLLAR



PLASTIC COLLAR STAND