

Label: RILEY	Description: PANTS + SHORTS W. ELASTIC WAISTBAND	Output date: 22/03/18 Modification date: 8 October 2025 12:54 pm
	Label instruction no: RIL-0002	Design : MKS

Main hangtag RIL-900

FRONT

BACK

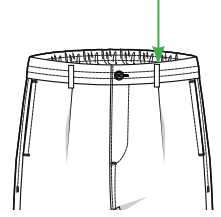


Production sticker placement



Hang tag placement:

Hangtag must be fixed with a knot at beltloop



If no beltloops please fix it through the size label inside with a knot.

Price sticker placement
(for production only)

SMS sticker placement



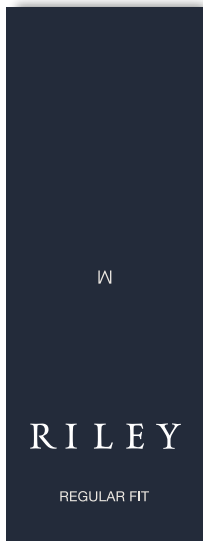
SMS sticker placement
Follow instruction no. :
007 salesman sticker from
Lindbergh

Waist tag:

Ref. number depending on fit.

See various ref below

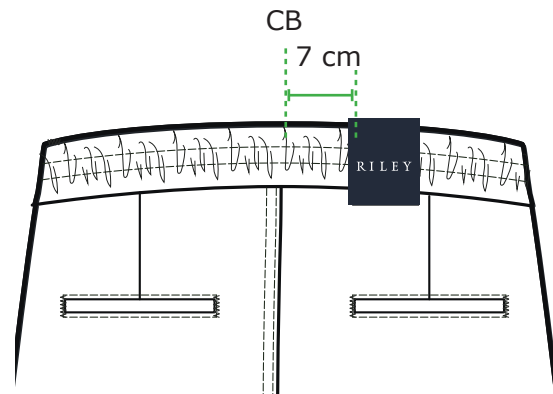
Waist tag placement:



See program
For waisttag number

Waist tag must be tagged on. Thread matching carboard.

- RIL-921 Relaxed loose fit
- RIL-922 Regular fit
- RIL-923 Loose fit
- RIL-924 Relaxed fit
- RIL-925 Wide fit



Label: RILEY	Description: PANTS + SHORTS W. ELASTIC WAISTBAND	Output date: 22/03/18 Modification date: 8 October 2025 12:54 pm
	Label instruction no: RIL-0002	Design : MKS

PLEASE CHECK MEASUREMENT CHART FOR KIND OF FIT LABEL

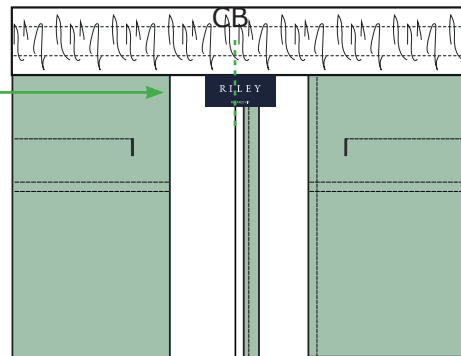
Main label RIL-801

Stitch top of label. See seam allowance and stitch line on instruction

Label placement:

Placement:

Place main label CB under elastic waistband in seam



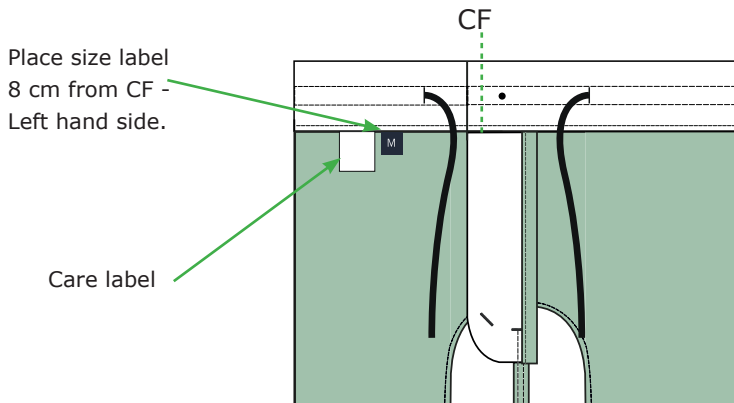
SIZE LABEL REF. RIL-840:



SIZE LABEL REF. RIL-841:



Label placement:



PLEASE CHECK MEASUREMENT CHART FOR KIND OF SIZE LABEL

Label: RILEY	Description: PANTS + SHORTS W. ELASTIC WAISTBAND	Output date: 22/03/18 Modification date: 8 October 2025 12:54 pm
	Label instruction no: RIL-0002	Design : MKS

STORYTELLING LABEL:

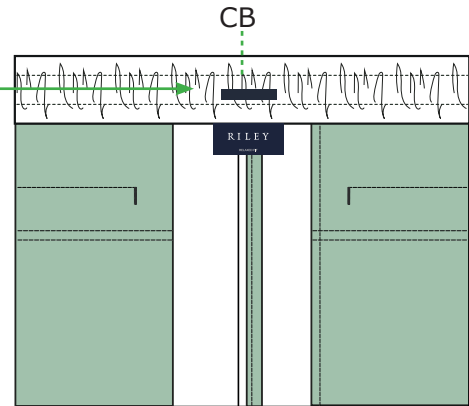


See program
For label reference

Place storytelling label
CB centered with main
label and waistband

Stitch all around label.
Col. match label colour

PLACEMENT - INSIDE:



2 STORYTELLING LABELS:



See program
For label reference

Place storytelling label
CB centered with main
label and waistband

Distance in between the
2 labels is 0,5 cm

Stitch all around label.
Col. match label colour

PLACEMENT - INSIDE:

