

Label: RILEY	Description : RILEY - SHIRTS - Gustav / Erik fit + all sizes	Date: 04/08/20 Modification date: 3 November 2025 7:52 am
	Label instruction no: RIL-2002-SPECIAL-GUSTAV ERIK FIT	Design : MKS

Main hangtag RIL-900

FRONT

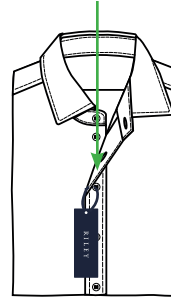
BACK



Size: 35 x 100 mm
Hole: Ø 4 mm

Tag placement

Hangtag must be fixed with knot at 2nd button hole. See sketch below. Total Length of string must be 10 cm when folded.



Production sticker placement



Price sticker placement
(for production only)

SMS sticker placement



SMS sticker placement

Follow instruction no. :
007 salesman sticker from
Lindbergh

Label: RILEY	Description : RILEY - SHIRTS - Gustav / Erik fit + all sizes	Date: 04/08/20 Modification date: 3 November 2025 7:52 am
	Label instruction no: RIL-2002-SPECIAL-GUSTAV ERIK FIT	Design : MKS

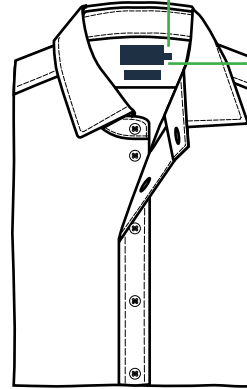
LABEL RIL-800



RY 200 ML
Size: 20 x 55 mm
Endfold: 7 mm

PLACEMENT:

Size label:
Placed 5 mm below
main label , centered
along right side



Neck label must be
placed 1,5 cm below
collar stand.
Stitch only both sides
(open top/bottom)

SIZE LABEL REF. RIL-840:



Size: 10 x 11 mm
Sewing allowance: 7 mm

EXTRA LABELS:

PLEASE CHECK MEASUREMENT CHART/STYLE PROGRAM FOR KIND OF FIT LABEL

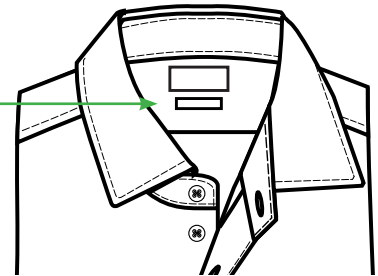
Fit : ERIK



RY 204 XL
Size: 8 x 35 mm
Endfold: 7 mm

PWT REF RIL-810

Stitch both sides.
Col. match label colour



Fit : GUSTAV



RY 205 XL

PWT REF RIL-811

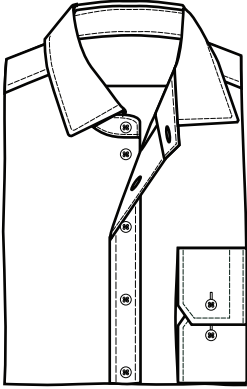
Label: RILEY	Description : RILEY - SHIRTS - Gustav / Erik fit + all sizes	Date: 04/08/20 Modification date: 3 November 2025 7:52 am
	Label instruction no: RIL-2002-SPECIAL-GUSTAV ERIK FIT	Design : MKS

Folding and packing instruction

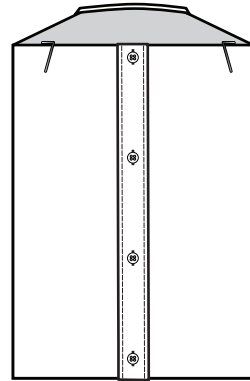
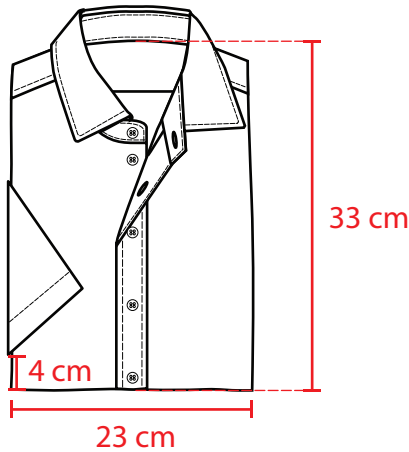
Folded and packed:
Width: 23 cm
Height: 33 cm

ONLY TO BE USED FOR GUSTAV AND ERIK FIT

L/S:

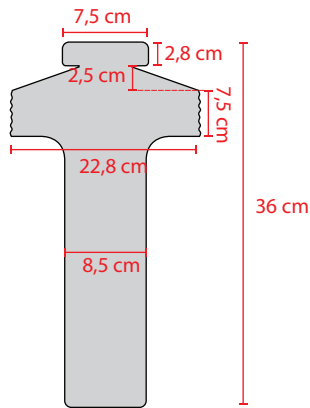
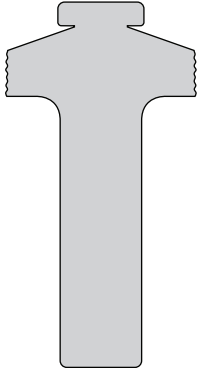


S/S:

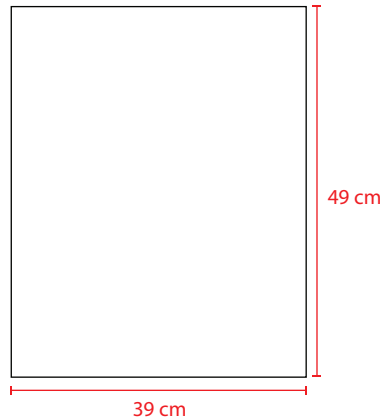


Please use metal clips to fix the shirt

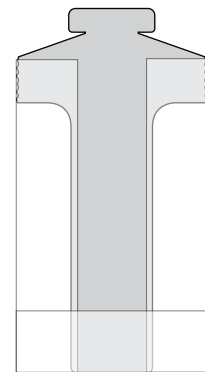
Cardboard



Tissue paper



4 layers of tissue paper



Tissue paper placed and folded as sketch

Cardboard collar stand

(inside collar)

