

Label: RILEY	Description : RILEY - SHIRTS - all fit + sizes	Date: 04/08/20 Modification date: 3 November 2025 7:54 am
	Label instruction no: RIL-2002	Design : MKS

Main hangtag RIL-900

FRONT

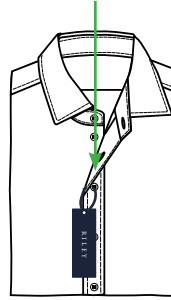
BACK



Size: 35 x 100 mm
Hole: Ø 4 mm

Tag placement

Hangtag must be fixed with knot at 2nd button hole. See sketch below. Total Length of string must be 10 cm when folded.



Production sticker placement



Price sticker placement
(for production only)

SMS sticker placement



SMS sticker placement

Follow instruction no. :
007 salesman sticker from
Lindbergh

Label: RILEY	Description : RILEY - SHIRTS - all fit + sizes	Date: 04/08/20 Modification date: 3 November 2025 7:54 am
	Label instruction no: RIL-2002	Design : MKS

LABEL RIL-800



RY 200 ML
Size: 20 x 55 mm
Endfold: 7 mm

SIZE LABEL REF. RIL-840:

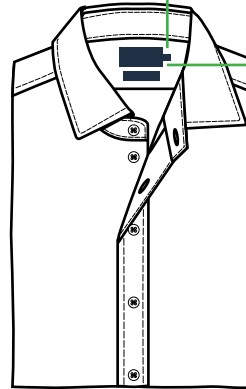


SIZE LABEL REF. RIL-841:



PLACEMENT:

Size label:
Placed 5 mm below
main label , centered
Along right side



Neck label must be
placed 1,5 cm below
collar stand. Stitch
only both sides (open
top/bottom)

PLEASE CHECK MEASUREMENT CHART FOR KIND OF SIZE LABEL

Label: RILEY	Description : RILEY - SHIRTS - all fit + sizes	Date: 04/08/20 Modification date: 3 November 2025 7:54 am
	Label instruction no: RIL-2002	Design : MKS

STORYTELLING/FITTING LABEL:



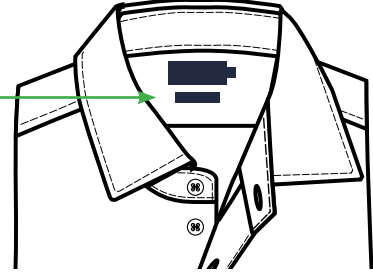
Size: 8 x 35 mm
Endfold: 7 mm

See program
For label number/ref

PLACEMENT :

Below main label
= 1 cm

Stitch both sides.
Col. match label colour



2 STORYTELLING/FITTING LABEL:



Size: 8 x 35 mm
Endfold: 7 mm

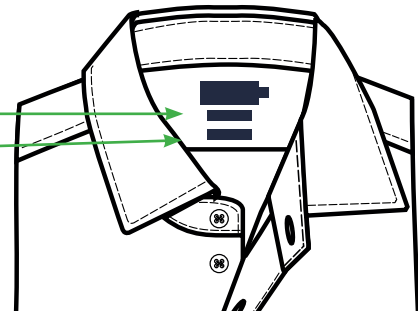
See program
For label number/ref

PLACEMENT :

Distance between
the storytelling
labels is 1 cm

Stitch both sides.
Col. match label colour

Storytelling label 1
Storytelling label 2

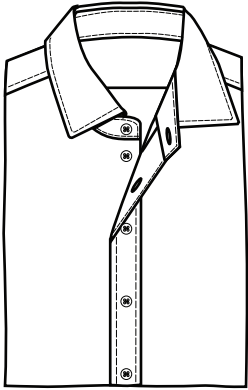


Label: RILEY	Description : RILEY - SHIRTS - all fit + sizes	Date: 04/08/20 Modification date: 3 November 2025 7:54 am
	Label instruction no: RIL-2002	Design : MKS

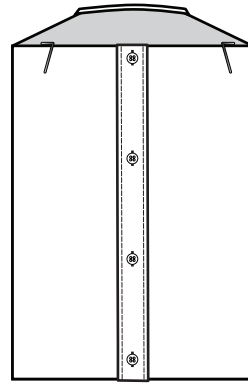
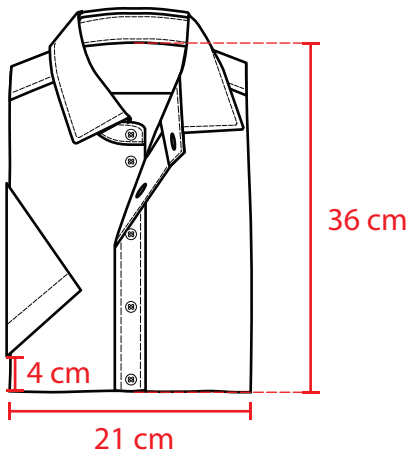
Folding and packing instruction

Folded and packed:
Width: 21 cm
Height: 36 cm

L/S:

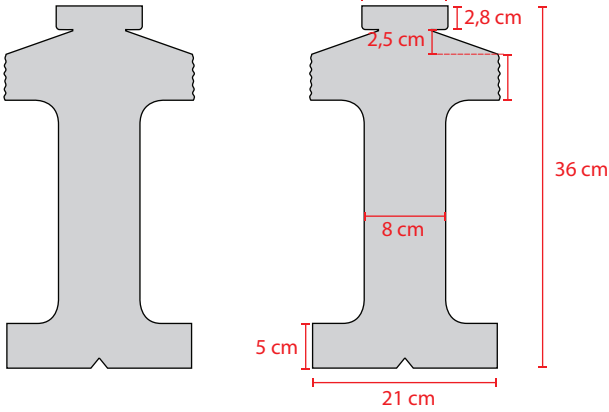


S/S:

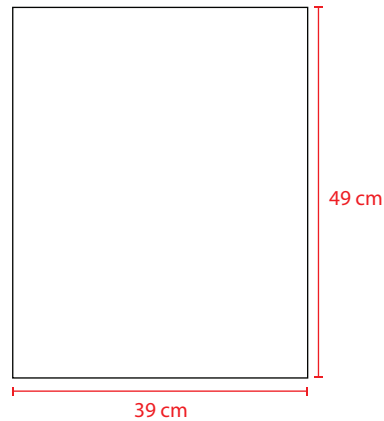


Please use metal clips to fix the shirt

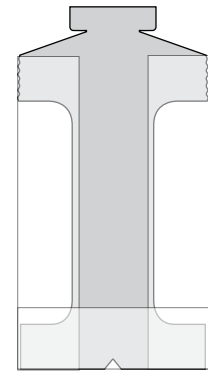
Cardboard



Tissue paper



4 layers of tissue paper

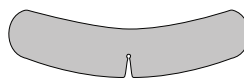


Tissue paper placed and folded as sketch

Plastic collar stand (inside collar)



Plastic butterfly (for shirts with fixed collar)



Single butterfly to fix collar.
Each garment must be packed with butterfly underneath collar.